

PRODUCT CATALOGUE
2009

MARBETT®
SUPPORTING AND LEVELLING ELEMENTS

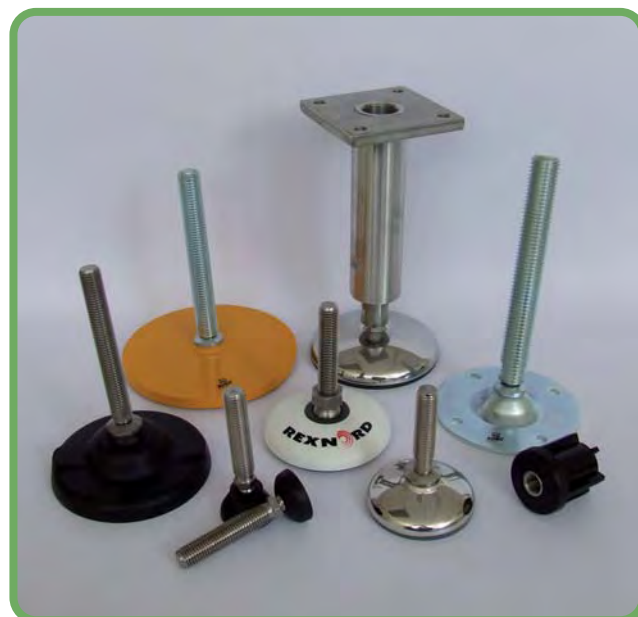


FlatTop Europe

REXNORD
PRECISION. POWER. PERFORMANCE.

SUPPORTING AND LEVELLING ELEMENTS

<i>Articulated Feet in Reinforced Polyamide</i>	Page R8
<i>Articulated Feet Gripper</i>	Page R28
<i>Articulated Feet in Steel</i>	Page R40
<i>Fixed Feet in Reinforced Polyamide and Rubber</i>	Page R52
<i>Fixed Feet in Steel</i>	Page R54
<i>Vibration absorbing Feet</i>	Page R57
<i>Anti-Slip Supports</i>	Page R58
<i>Threaded Bushings</i>	Page R60



Page R0 - R66



Main News

Obsolete	Replacements		Page
Articulated Feet			
Part. R0170 - R0170R	Part. R0869	New	R24
Part. R0171 - R0171R	Part. R0869	New	R24
Part. R0254	Part. R0869	New	R24
Part. R0172	Part. R0323		R18 - R19
Part. R0132 - R0132R	Part. R0133		R20 - R21
Part. R0292	Part. R0628		R36 - R37
Feet in Steel			
Part. R0546	Part. R0747		R44
Part. R0547	Part. R0748		R44
Part. R0548	Part. R0749		R44
Part. R0549	Part. R0627		R30 - R31
Part. R0349	Part. R0349	New Design	R42
Part. R0351	Part. R0351	New Design	R40
Part. R0408	Part. R0408	New Design	R43
Part. R0441	Part. R0441	New Design	R41
Out of production			
Part. R0602			
Part. R0675			
Part. R0745			
Part. R0753			

ARTICULATED FEET
in reinforced polyamide

Pag. R8 - R27



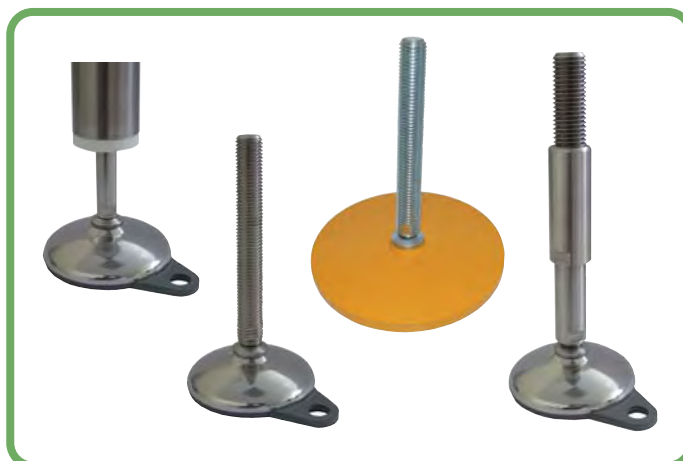
ARTICULATED FEET GRIPPER
in reinforced polypropylene and stainless steel

Pag. R28 - R39



ARTICULATED FEET
in steel

Pag. R40 - R51



FIXED FEET
in reinforced polyamide and reinforced rubber

Pag. R52 - R53



FIXED FEET
in steel

Pag. R54 - R56



VIBRATION ABSORBING FEET
in steel

Pag. R57



ANTI-SLIP SUPPORTS
in steel and rubber

Pag. R58 - R59



THREADED BUSHINGS
for round and square tubes

Pag. R60 - R63



ARTICULATED FEET in reinforced polyamide



Part. R0269 - Pag. R8 - R9
Ø 40 • Max. load 10000 N.



Part. R0552 - Pag. R10 - R11
Ø 40 • Max. load 5000 N.



Part. R0173 - Pag. R12 - R13
Ø 50 • Max. load 10000 N.



Part. R0098 - Pag. R14 - R15
Ø 60 • Max. load 12000 N.



Part. R0094 - Pag. R16 - R17
Ø 60 • Prefitting for fixing
• Max. load 12000 N.



Part. R0323 - Pag. R18 - R19
Ø 80 • Prefitting for fixing
• Max. load 10000 N.



Part. R0133 - Pag. R20 - R21
Ø 100 • Prefitting for fixing
• Max. load 13000 N.



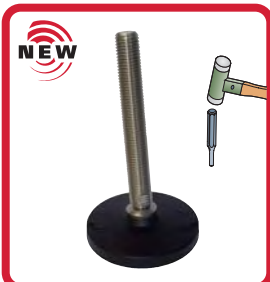
Part. R0479 - Pag. R22 - R23
Ø 110 • Prefitting for fixing
• Max. load 20000 N.



Part. R0869 - Pag. R24
Ø 124 • Prefitting for fixing
• Max. load 45000 N.



Part. R0169 - Pag. R25
Ø 124 • Prefitting for fixing
• Max. load 45000 N.



Part. R0134 - Pag. R26
Ø 100 • Prefitting for fixing
• Max. load 20000 N.



Part. R0297 - Pag. R27
Ø 124 • Prefitting for fixing
• Max. load 45000 N.



Part. R0726 - Pag. R24 - R25 - R27
Ø 170 • Spacer for
Part. R0869 - R0169 - R0297.

ARTICULATED FEET GRIPPER in reinforced polypropylene



Part. R0626 - Pag. R28 - R29
Ø 80 • Hygiene
• Customized with logo
• Max. load 12000 N.



Part. R0622 - Pag. R32 - R33
Ø 100 • Hygiene
• Customized with logo
• Max. load 19500 N.



Part. R0628 - Pag. R36 - R37
Ø 120 • Hygiene
• Customized with logo
• Max. load 22000 N.

ARTICULATED FEET GRIPPER in stainless steel



Part. R0627 - Pag. R30 - R31
Ø 80 • Hygiene
• Customized with logo
• Max. load 12000 N.



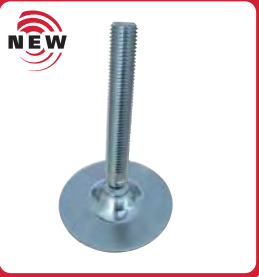
Part. R0623 - Pag. R34 - R35
Ø 100 • Hygiene
• Customized with logo
• Max. load 19500 N.



Part. R0629 - Pag. R38 - R39
Ø 120 • Hygiene
• Customized with logo
• Max. load 22000 N.

Product range

**ARTICULATED
FEET
in
steel**



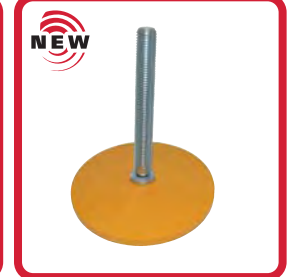
Part. R0351 - Pag. R40
Ø 123 • Stainless steel and
zinc plated steel
• Max. load 10000 N.



Part. R0441 - Pag. R41
• Zinc plated steel
• Max. load 10000 N.



Part. R0349 - Pag. R42
Ø 123 • N. 4 holes • Stainless
steel and zinc plated steel
• Max. load 10000 N.



Part. R0408 - Pag. R43
Ø 160 • Painted steel
• Max. load 50000 N.



Part. R0747 - Pag. R44
Ø 80 • Stainless steel
• Hygiene • Max. load 25000 N.



Part. R0748 - Pag. R44
Ø 100 • Stainless steel
• Hygiene • Max. load 25000 N.



Part. R0749 - Pag. R44
Ø 120 • Stainless steel
• Hygiene • Max. load 25000 N.



Part. R0747F - Pag. R45
Ø 80 • Stainless steel
• Hygiene • Prefitting for fixing
• Max. load 25000 N.



Part. R0748F - Pag. R45
Ø 100 • Stainless steel
• Hygiene • Prefitting for fixing
• Max. load 25000 N.



Part. R0750 - Pag. R46
Ø 80 • Stainless steel
• Hygiene • Max. load 12000 N.



Part. R0751 - Pag. R46
Ø 100 • Stainless steel
• Hygiene • Max. load 12000 N.



Part. R0752 - Pag. R46
Ø 120 • Stainless steel
• Hygiene • Max. load 12000 N.



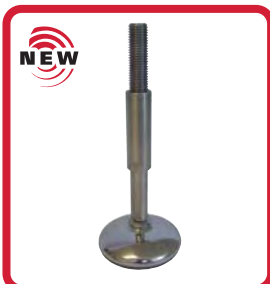
Part. R0750F - Pag. R47
Ø 80 • Stainless steel
• Hygiene • Prefitting for fixing
• Max. load 12000 N.



Part. R0751F - Pag. R47
Ø 100 • Stainless steel
• Hygiene • Prefitting for fixing
• Max. load 12000 N.



Part. R0750S - Pag. R48
Ø 80 • Stainless steel
• Hygiene • Max. load 25000 N.



Part. R0751S - Pag. R48
Ø 100 • Stainless steel
• Hygiene • Max. load 50000 N.



Part. R0752S - Pag. R48
Ø 120 • Stainless steel
• Hygiene • Max. load 50000 N.



Part. R0750SF - Pag. R49
Ø 80 • Stainless steel
• Hygiene • Prefitting for fixing
• Max. load 25000 N.



Part. R0751SF - Pag. R49
Ø 100 • Stainless steel
• Hygiene • Prefitting for fixing
• Max. load 50000 N.



Part. R0749 - Pag. R50
Ø 120 • Stainless steel
• Hygiene • Max. load 50000 N.



Part. R0773 - Pag. R51
Ø 120 • Stainless steel
• Hygiene • Max. load 80000 N.

FIXED FEET
in reinforced polyamide and reinforced rubber

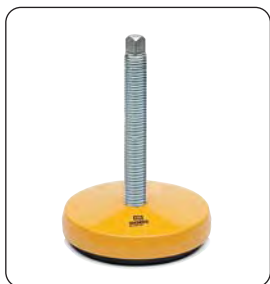


Part. R0600 - Pag. R52
Ø 50 • Reinforced polyamide
• Max. load 2000 N.



Part. R0031 - Pag. R53
Ø 110 • Rubber
• Max. load 6000 N.

FIXED FEET
in steel



Part. R0403 - Pag. R54
Ø 100 • Painted steel
• Max. load 50000 N.



Part. R0528 - Pag. R54
Ø 100 • Painted steel
• Max. load 50000 N.



Part. R0406 - Pag. R55
Ø 123 • Painted steel
• Max. load 50000 N.



Part. R0529 - Pag. R55
Ø 123 • Painted steel
• Max. load 50000 N.



Part. R0383 - Pag. R56
Ø 40 • Stainless steel
• Hygiene • Max. load 7000 N.



Part. R0384 - Pag. R56
Ø 65 • Stainless steel
• Hygiene • Max. load 12000 N.



Part. R0399 - Pag. R56
Ø 90 • Stainless steel
• Hygiene • Max. load 11000 N.



Part. R0385 - Pag. R56
Ø 110 • Stainless steel
• Hygiene • Max. load 10000 N.

VIBRATION ABSORBING FEET
in steel



Part. R0701 - Page R57
Ø 80 • Zinc plated steel/zinc plated steel painted.



Part. R0702 - Page R57
Ø 120 • Zinc plated steel/zinc plated steel painted.



Part. R0703 - Page R57
Ø 160 • Zinc plated steel/zinc plated steel painted.

ANTI-SLIP SUPPORTS
in steel and rubber



Part. R0230 - Page R58
Ø 100 • Stainless steel/nickel plated steel
• Max. load 10000 N.



Part. R0404 - Page R58
Ø 100 • Painted steel
• Max. load 5000 N.



Part. R0055 - Page R59
Ø 110 • Rubber with steel insert
• Max. load 6000 N.



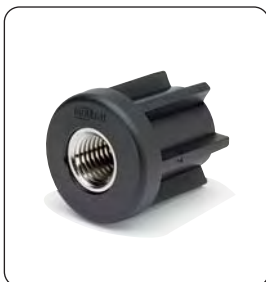
Part. R0187 - Page R59
Ø 123 • Rubber with painted steel insert
• Max. load 20000 N.

Product range



Part. R0407 - Page R58 - R59
Spindle for Part. 230 - 404 - 55
- 187 • Zinc plated steel.

THREADED BUSHINGS for round and square tubes



Part. R0180 - Page R60
For round tubes Ø 26,9-30-
33,7-38-42,4-48,3-54-60,3
mm and 1,5" - 2."



Part. R0224 - Page R61
For square tubes 30-35-40-
50 mm and 1,5" - 2."



Part. S0713 - Page R62
For round tubes Ø 26,9-30-
33,7-38-42,4-48,3-54-60,3
mm and 1,5" - 2."



Part. S0713 - Page R63
For square tubes 30-35-40-
50 mm and 1,5" - 2."



Part. S0714 - Page R63
For square tubes 30-35-40-
50 mm and 1,5" - 2."

SPINDLE MATERIALS

Stainless steel

- Austenitic structure.
- High resistance to chemicals.
- Excellent resistance to oxidation.
- Non magnetic steel.
- Operating temperature :
in air (- 70°C to + 430°C)
in hot water (+ 120°C)
- Sectors of use
Humid and corrosive environments. Environments where hygiene regulations are strict and indispensable (food and dairy industry, chemicals-pharmaceuticals, bottling).
Electronics industry (where non-magnetic properties are required).

Zinc plated steel

- Operating temperature :
in air (- 40°C to + 180°C)
in hot water (+ 120°C)
- Sectors of use
Moisture-free environments with low corrosion.

Nickel plated brass

- Good resistance to chemicals.
- Operating temperature :
in air (- 40°C to + 180°C)
in hot water (+ 120°C)
- Sectors of use
Humid and wet environments.

Reinforced polyamide with steel pin

- Good resistance to chemicals.
- Operating temperature :
in air (- 5°C to + 120°C)
in hot water (+ 100°C)
- Colour: black.
- Sectors of use Industrial, packaging.

FOOTPLATE MATERIALS

Reinforced polyamide PA FV

- Good mechanical strength.
Able to withstand high load capacities.
- High thermal resistance.
- Good resistance to chemicals.
- Operating temperature:
in air (- 30°C to + 120°C)
in hot water (+ 100°C)
- Colour : black.
- Inflammability : 94HB.

Reinforced polypropylene PP FV

- Recommended in applications requiring high resistance to chemicals and fair mechanical properties (the load capacity is lower than reinforced polyamide).
- Operating temperature :
in air (+ 5°C to + 115°C)
in hot water (+ 115°C)
- Colour : black.
- Inflammability : 94HB.

ANTI-SLIP MATERIALS

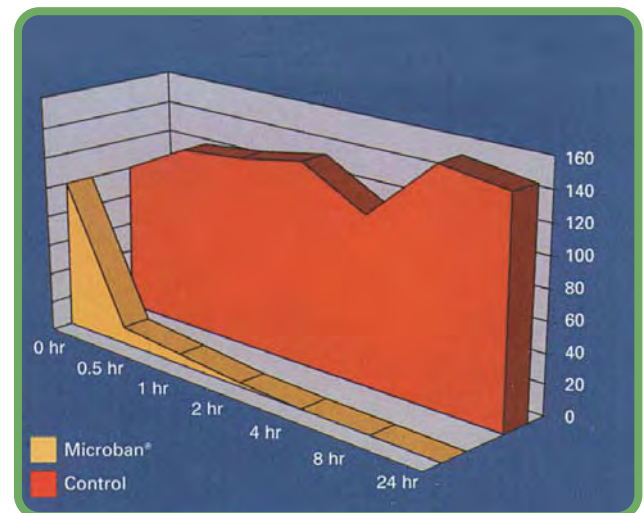
NBR rubber

- Operating temperature :
in air (- 35°C to + 100°C)
in hot water (+ 80°C)
- Colour : black.
- Inflammability : 94HB

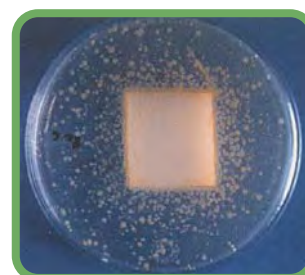
ANTIBACTERIAL PROTECTION



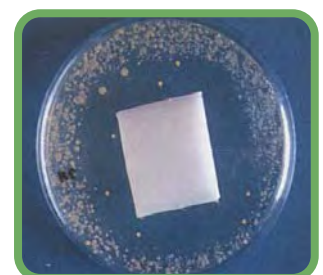
- Articulated Feet Gripper footplates Part.622-623-626-627-628-629, are supplied with Microban® antibacterial protection.
- By penetrating the cell wall of bacteria Microban® inhibits the growth of most common food poisoning bacteria, such as E.coli, Salmonella, Listeria, S-aureus, Campylobacter, which can cause contamination and odour.
- Independent laboratory tests have proven Microban® to be effective throughout the lifetime of the product. Because it is built-in, it is working all-over.
- The active agent used in Microban® technology has been recommended for approval in food contact uses by the European Union Scientific Committee for Food (SCF); in the United States the Environmental Protection Agency (EPA) has approved it for use in conveyor belts.



Bacteria E.coli in Microban® plastic compound compared to identical untreated plastic.



Without protection, growth of bacteria on and around the product.



With Microban®, absence of bacteria on and around the product.

In this new catalogue we have included some new graphic and visual features to aid in the correct component identification. These features are designed to make the catalogue more intuitive and also highlight the Rexnord recommendation for prompt availability.

The page layout is as follows.


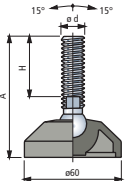
- Best choice
- 1 ● Standard
- On request : Minimum quantity may apply or can be available at our distributors.

2 Spindle Material.

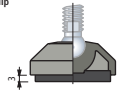
3 Reinforced series : right side of the catalogue.

4 Complete item Code = Part. + Code = R0098 + 626683 = R0098626683.

4 Part. R0098

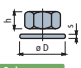



Accessories
Anti-slip



- Code : R000630022.
- Material : NBR rubber (black), 70 Shore.
- Assembly : press-fit.
- Packaging : 24 pieces

Nut + Washer



Code

Stainless steel	Zinc plated	h	mm	mm	mm	mm
M12	R0000630192	R0000630122	10	19	24	2,5
M14	R0000630202	R0000630132	11	22	28	2,5
M16	R0000630212	R0000630142	13	24	30	3
M20	R0000630222	R0000630152	16	30	37	3
M24	R0000630232	R0000630162	19	36	44	4

Packaging : 8 pieces.

Articulated Feet
in reinforced polyamide

Best choice
Standard
On request

Spindle in stainless steel

Code	feet supplied	without assembly
M12	90 55 1 - - - 10	626683
	135 100 1 - - - 10	626683
	185 150 1 - - - 10	626703
M14	110 76 - 1a - - 11	626002
	135 100 - 1a - - 11	626713
	185 150 - 1a - - 11	626723
	100 64 - 1a - - 13	626012
	115 81 - 1a - - 13	626022
M16	160 124 - 1a - - 13	626032
	185 151 - 1a - - 13	626042
	205 169 - 1a - - 13	621283
	225 190 - 1a - - 13	621313
M20	120 84 - 1a - - 16	626052
	185 149 - 1a - - 16	626062
	245 208 - 1a - - 16	621293
M24	120 79 - 1a - - 19	626733
	185 146 - 1a - - 19	626072
	220 179 - 1a - - 19	626743
	250 200 - 1a - - 19	621303

Spindle in zinc plated steel


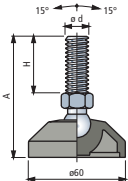
Code	feet supplied	without assembly
M12	105 70 1 - - - 10	626753
M14	90 56 - 1a - - 11	626092
	85 48 - 1a - - 13	626763
	95 61 - 1a - - 13	626102
	120 96 - 1a - - 13	626112
	150 116 - 1a - - 13	626122
M16	165 131 - 1a - - 13	621343
	185 151 - 1a - - 13	626132
	200 165 - 1a - - 13	621353
	235 201 - 1a - - 13	626773
	115 74 - 1a - - 16	626783
M20	135 100 - 1a - - 16	626142
	150 113 - 1a - - 16	621323
	185 150 - 1a - - 16	626152
	250 214 - 1a - - 16	626162
	120 81 - 1a - - 19	626172
M24	185 146 - 1a - - 19	626182
	320 288 - 1a - - 19	626793

Spindle in reinforced polyamid (black) with steel pin

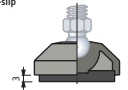
Code	feet supplied	without assembly
M16	100 54 - - - 3 24	61920
M20	120 69 - - - 3 30	61540
	180 129 - - - 3 30	61530

Item code for order = Part. + Code
- Footplate material : reinforced polyamide PA FV (black).
- Note : for spindles type 1 ball in reinforced polyamide.
- Packaging : 24 pieces.
- Anti-slip supplied separately.
- On request different length.
- Fmax. = maximum applicable load in static conditions.

3 Part. R0098 Reinforced version

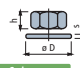



Accessories
Anti-slip



- Code : R000630022.
- Material : NBR rubber (black), 70 Shore.
- Assembly : press-fit.
- Packaging : 24 pieces

Nut + Washer



Code

Stainless steel	Zinc plated	h	mm	mm	mm	mm
M12	R0000630192	R0000630122	10	19	24	2,5
M14	R0000630202	R0000630132	11	22	28	2,5
M16	R0000630212	R0000630142	13	24	30	3
M20	R0000630222	R0000630152	16	30	37	3
M24	R0000630232	R0000630162	19	36	44	4

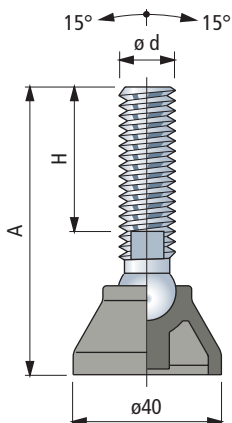
Packaging : 8 pieces.



Articulated Feet in reinforced polyamide

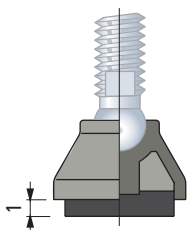
- ✔ Best choice
- ✔ Standard
- On request

Part. **R0269**



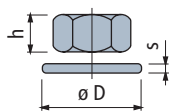
■ Accessories

Anti-slip



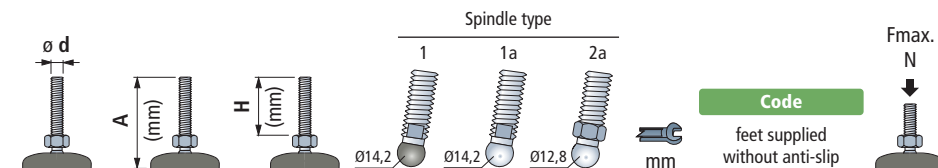
- Code : R0000630002.
- Material : NBR rubber (black), 70 Shore.
- Assembly : press-fit.
- Packaging : 48 pieces

Nut + Washer



	Code		h mm	mm	øD mm	s mm
	Stainless steel AISI 304	Zinc plated steel				
M8	-	R0000630102	6,5	13	17	1,6
M10	R0000630182	R0000630112	8	17	21	2
M12	R0000630192	R0000630122	10	19	24	2,5
M14	R0000630202	R0000630132	11	22	28	2,5
M16	R0000630212	R0000630142	13	24	30	3

Packaging : 24 pieces (for M8, M10).
8 pieces (for M12, M14, M16).



Spindle in stainless steel							Code	Fmax. N
			Spindle type			feet supplied without anti-slip		
M10	105	70	1	-	-	8	626503	8000
M12	105	70	1	-	-	10		
	165	130	1	-	-	10	626523	
M14	100	70	-	1a	-	13	626533	
M16	105	81	-	1a	-	13	626543	10000
	165	124	-	1a	-	13	626553	

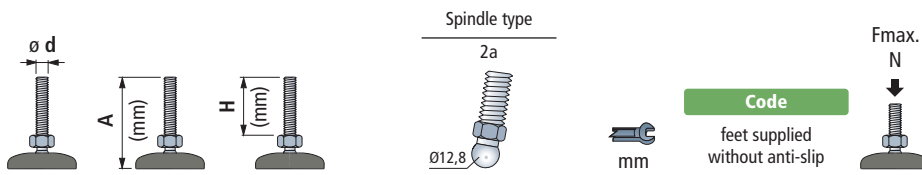
Spindle in zinc plated steel							Code	Fmax. N
			Spindle type			feet supplied without anti-slip		
M8	70	40	-	-	2a	12	625062	10000
	65	33	-	-	2a	12	625072	
M10	105	71	-	-	2a	12	625082	
	150	118	-	-	2a	12	625092	
M12	80	48	-	-	2a	12	625102	
	100	69	-	-	2a	12	625112	
	130	96	-	-	2a	12	625122	
M14	100	68	-	-	2a	13	625132	
	80	47	-	-	2a	15	625142	
M16	100	67	-	-	2a	15	625152	
	200	167	-	-	2a	15	625162	

Item code for order = Part. + Code

- Footplate material : reinforced polyamide PA FV (black).
- Note : for spindles type 1 ball in reinforced polyamide.
- Packaging : 48 pieces.
- Anti-slip supplied separately.
- On request different length.
- Fmax. = maximum applicable load in static conditions.

- Best choice
- Standard
- ✓ On request

Part. **R0269**

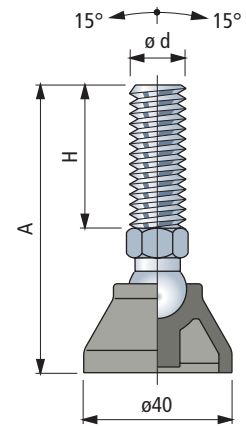


Spindle in stainless steel					
M10	105	71	2a	12	625002
M12	100	69	2a	12	625012
	165	132	2a	12	625022
M14	100	68	2a	13	625032
M16	105	72	2a	15	625042
	165	132	2a	15	625052

10000

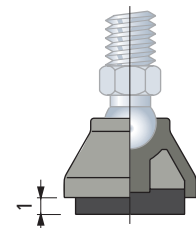
Item code for order = Part. + Code

- Footplate material : reinforced polyamide PA FV (black).
- Packaging : 48 pieces.
- Anti-slip supplied separately.
- On request different length.
- Fmax. = maximum applicable load in static conditions.



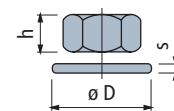
■ Accessories

Anti-slip



- Code : **R0000630002**.
- Material : NBR rubber (black), 70 Shore.
- Assembly : press-fit.
- Packaging : 48 pieces

Nut + Washer



Code		h	s	ø D		
Stainless steel AISI 304	Zinc plated steel	mm	mm	mm		
M8	-	R0000630102	6,5	13	17	1,6
M10	R0000630182	R0000630112	8	17	21	2
M12	R0000630192	R0000630122	10	19	24	2,5
M14	R0000630202	R0000630132	11	22	28	2,5
M16	R0000630212	R0000630142	13	24	30	3

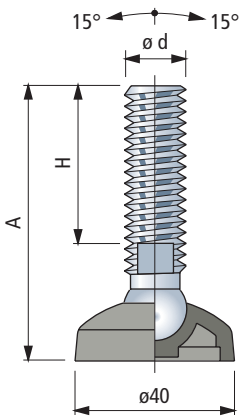
Packaging : 24 pieces (for M8, M10).
8 pieces (for M12, M14, M16).



Articulated Feet in reinforced polyamide

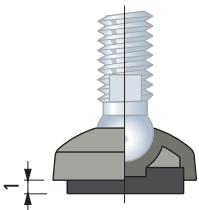
Part. **R0552**

- ✔ **Best choice**
- ✔ **Standard**
- **On request**



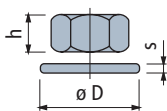
■ **Accessories**

Anti-slip



- Code : R0000630002.
- Material : NBR rubber (black), 70 Shore.
- Assembly : press-fit.
- Packaging : 48 pieces

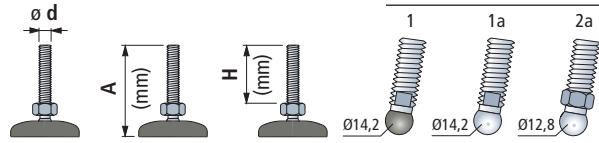
Nut + Washer



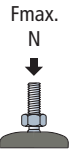
	Code		h mm	s mm	øD mm	s mm
	Stainless steel AISI 304	Zinc plated steel				
M8	-	R0000630102	6,5	13	17	1,6
M10	R0000630182	R0000630112	8	17	21	2
M12	R0000630192	R0000630122	10	19	24	2,5
M14	R0000630202	R0000630132	11	22	28	2,5
M16	R0000630212	R0000630142	13	24	30	3

Packaging : 24 pieces (for M8, M10).
8 pieces (for M12, M14, M16).

Spindle type



Code
feet supplied
without anti-slip



Spindle in stainless steel

M10	95	70	1	-	-	8	626563	5000
M12	95	70	1	-	-	10	626573	
	155	130	1	-	-	10	626583	
M14	90	70	-	1a	-	13	626593	
M16	95	81	-	1a	-	13	626603	
	155	124	-	1a	-	13	626613	

Spindle in zinc plated steel

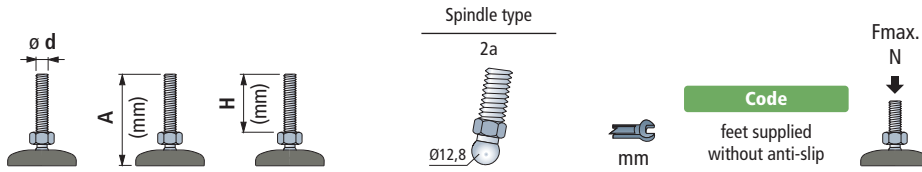
M8	60	40	-	-	2a	12	625562	5000
	55	33	-	-	2a	12	625572	
M10	95	71	-	-	2a	12	625582	
	140	118	-	-	2a	12	625592	
M12	70	48	-	-	2a	12	625602	
	90	69	-	-	2a	12	625612	
	120	96	-	-	2a	12	625622	
M14	90	68	-	-	2a	13	625632	
	70	47	-	-	2a	15	625642	
M16	90	67	-	-	2a	15	625652	
	190	167	-	-	2a	15	625662	

Item code for order = Part. + Code

- Footplate material : reinforced polyamide PA FV (black).
- Note : for spindles type 1 ball in reinforced polyamide.
- Packaging : 48 pieces.
- Anti-slip supplied separately.
- On request different length.
- Fmax. = maximum applicable load in static conditions.

- **Best choice**
- **Standard**
- ✓ **On request**

Part. R0552

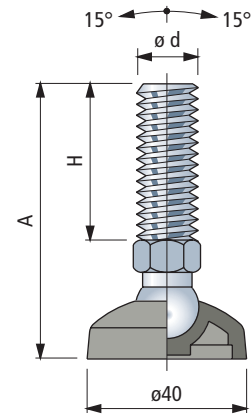


Spindle in stainless steel					
M10	95	71	2a	12	625502
M12	90	69	2a	12	625512
	155	132	2a	12	625522
M14	90	68	2a	13	625532
M16	95	72	2a	15	625542
	155	132	2a	15	625552

5000

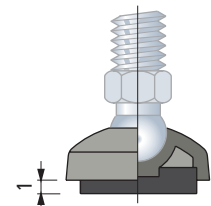
Item code for order = Part. + Code

- Footplate material : reinforced polyamide PA FV (black).
- Packaging : 48 pieces.
- Anti-slip supplied separately.
- On request different length.
- $F_{max.}$ = maximum applicable load in static conditions.



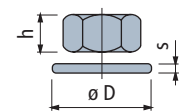
■ **Accessories**

Anti-slip



- Code : **R0000630002**.
- Material : NBR rubber (black), 70 Shore.
- Assembly : press-fit.
- Packaging : 48 pieces

Nut + Washer



Code		h	s	$\varnothing D$		
Stainless steel AISI 304	Zinc plated steel	mm	mm	mm		
M8	-	R0000630102	6,5	13	17	1,6
M10	R0000630182	R0000630112	8	17	21	2
M12	R0000630192	R0000630122	10	19	24	2,5
M14	R0000630202	R0000630132	11	22	28	2,5
M16	R0000630212	R0000630142	13	24	30	3

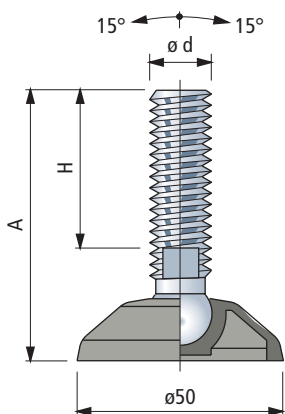
Packaging : 24 pieces (for M8, M10).
8 pieces (for M12, M14, M16).



Articulated Feet in reinforced polyamide

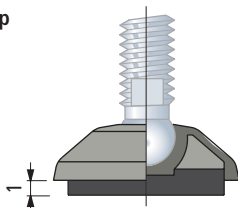
- ✔ **Best choice**
- ✔ **Standard**
- **On request**

Part. **R0173**



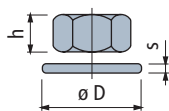
■ **Accessories**

Anti-slip



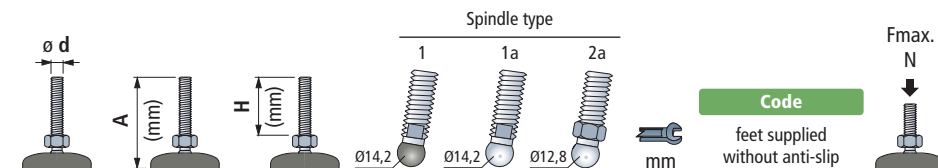
- Code : R000630012.
- Material : NBR rubber (black), 70 Shore.
- Assembly : press-fit.
- Packaging : 24 pieces

Nut + Washer



	Code		h mm	s mm	øD mm
	Stainless steel AISI 304	Zinc plated steel			
M8	-	R000630102	6,5	13	17
M10	R000630182	R000630112	8	17	21
M12	R000630192	R000630122	10	19	24
M14	R000630202	R000630132	11	22	28
M16	R000630212	R000630142	13	24	30

Packaging : 24 pieces (for M8, M10).
8 pieces (for M12, M14, M16).



Spindle in stainless steel							Code	Fmax. N
			Spindle type			feet supplied without anti-slip		
M10	95	70	1	-	-	8	626623	8000
M12	95	70	1	-	-	10		
	155	130	1	-	-	10	626643	
M14	90	70	-	1a	-	13	626653	
M16	95	81	-	1a	-	13	626663	10000
	155	124	-	1a	-	13	626673	

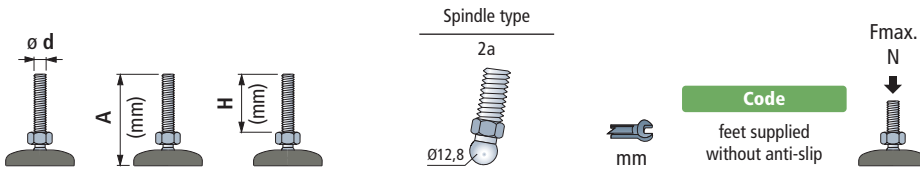
Spindle in zinc plated steel							Code	Fmax. N
			Spindle type					
M8	60	40	-	-	2a	12	625312	
	55	33	-	-	2a	12	625322	
M10	95	71	-	-	2a	12	625332	
	140	118	-	-	2a	12	626342	
M12	70	48	-	-	2a	12	626352	10000
	90	69	-	-	2a	12	625362	
	120	96	-	-	2a	12	625372	
M14	90	68	-	-	2a	13	625382	
M16	70	47	-	-	2a	15	625392	
	90	67	-	-	2a	15	625402	
	190	167	-	-	2a	15	625412	

Item code for order = Part. + Code

- Footplate material : reinforced polyamide PA FV (black).
- Note : for spindles type 1 ball in reinforced polyamide.
- Packaging : 24 pieces.
- Anti-slip supplied separately.
- On request different length.
- Fmax. = maximum applicable load in static conditions.

- Best choice
- Standard
- ✓ On request

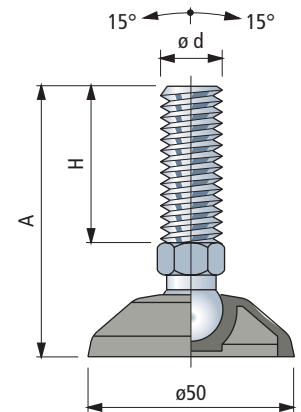
Part. **R0173**



Spindle in stainless steel						10000
M10	95	71	2a	12	625252	
M12	90	69	2a	12	625262	
	155	132	2a	12	625272	
M14	90	68	2a	13	625282	
M16	95	72	2a	15	625292	
	155	132	2a	15	625302	

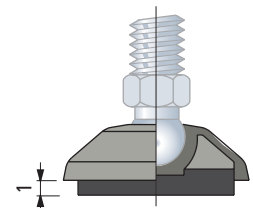
Item code for order = Part. + Code

- Footplate material : reinforced polyamide PA FV (black).
- Packaging : 24 pieces.
- Anti-slip supplied separately.
- On request different length.
- Fmax. = maximum applicable load in static conditions.



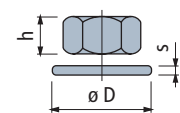
■ Accessories

Anti-slip



- Code : R0000630012.
- Material : NBR rubber (black), 70 Shore.
- Assembly : press-fit.
- Packaging : 24 pieces

Nut + Washer



Code		h		ϕD	s
Stainless steel AISI 304	Zinc plated steel	mm	mm	mm	mm
M8	-	R0000630102	6,5	13	17 1,6
M10	R0000630182	R0000630112	8	17	21 2
M12	R0000630192	R0000630122	10	19	24 2,5
M14	R0000630202	R0000630132	11	22	28 2,5
M16	R0000630212	R0000630142	13	24	30 3

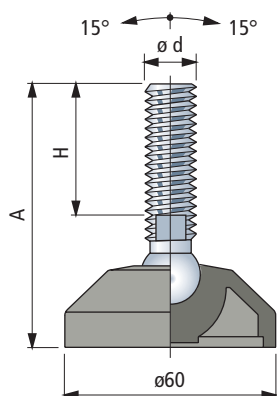
Packaging : 24 pieces (for M8, M10).
8 pieces (for M12, M14, M16).



Articulated Feet in reinforced polyamide

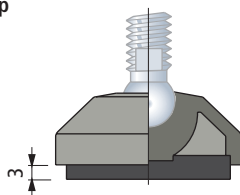
- ✔ Best choice
- ✔ Standard
- On request

Part. **R0098**



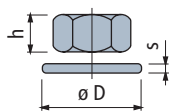
Accessories

Anti-slip



- Code : R000630022.
- Material : NBR rubber (black), 70 Shore.
- Assembly : press-fit.
- Packaging : 24 pieces

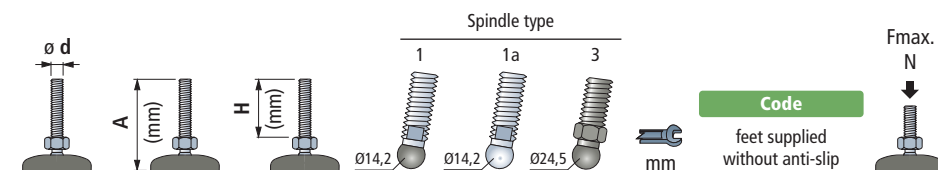
Nut + Washer



Code

	Stainless steel AISI 304	Zinc plated steel	h mm	mm	øD mm	s mm
M12	R000630192	R000630122	10	19	24	2,5
M14	R000630202	R000630132	11	22	28	2,5
M16	R000630212	R000630142	13	24	30	3
M20	R000630222	R000630152	16	30	37	3
M24	R000630232	R000630162	19	36	44	4

Packaging : 8 pieces.



Spindle in stainless steel

M	Spindle type						Code	Fmax. N
	1	1a	3	mm				
M12	90	55	1	-	-	10	626683 626693 626703	8000
	135	100	1	-	-	10		
	185	150	1	-	-	10		
M14	110	76	-	1a	-	11	626002 626713 626723	
	135	100	-	1a	-	11		
	185	150	-	1a	-	11		
M16	100	64	-	1a	-	13	626012 626022 626032 626042 621283 621313	10000
	115	81	-	1a	-	13		
	160	124	-	1a	-	13		
	185	151	-	1a	-	13		
	205	169	-	1a	-	13		
M20	120	84	-	1a	-	16	626052 626062 621293	
	185	149	-	1a	-	16		
	245	208	-	1a	-	16		
M24	120	79	-	1a	-	19	626733 626072 626743 621303	
	185	146	-	1a	-	19		
	220	179	-	1a	-	19		
	250	209	-	1a	-	19		

Spindle in zinc plated steel

M	Spindle type						Code	Fmax. N
	1	1a	3	mm				
M12	105	70	1	-	-	10	626753	8000
M14	90	56	-	1a	-	11	626092	10000
	85	48	-	1a	-	13	626763	
	95	61	-	1a	-	13	626102	
	130	96	-	1a	-	13	626112	
	150	116	-	1a	-	13	626122	
	165	131	-	1a	-	13	621343	
	185	151	-	1a	-	13	626132	
M16	200	165	-	1a	-	13	621353	10000
	235	201	-	1a	-	13	626773	
	115	74	-	1a	-	16	626783	
	135	100	-	1a	-	16	626142	
	150	113	-	1a	-	16	621323	
M20	185	150	-	1a	-	16	626152	10000
	250	214	-	1a	-	16	626162	
	120	81	-	1a	-	19	626172	
M24	185	146	-	1a	-	19	626182	10000
	330	288	-	1a	-	19	626793	

Spindle in reinforced polyamid (black) with steel pin

M	h	s	øD	Code	Fmax. N
M16	100	54	-	61920	6000
M20	120	69	-	51540	
	180	129	-	51530	

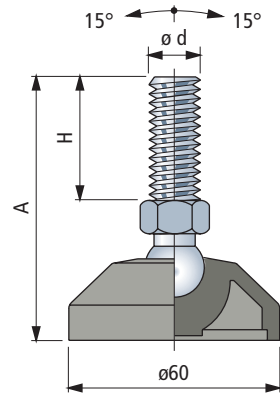
Item code for order = Part. + Code

- Footplate material : reinforced polyamide PA FV (black).
- Note : for spindles type 1 ball in reinforced polyamide.
- Packaging : 24 pieces.
- Anti-slip supplied separately.
- On request different length.
- Fmax. = maximum applicable load in static conditions.

- Best choice
- Standard
- ✓ On request

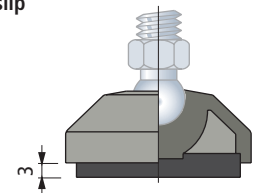
Part. R0098

Reinforced version



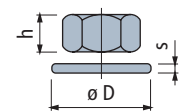
Accessories

Anti-slip



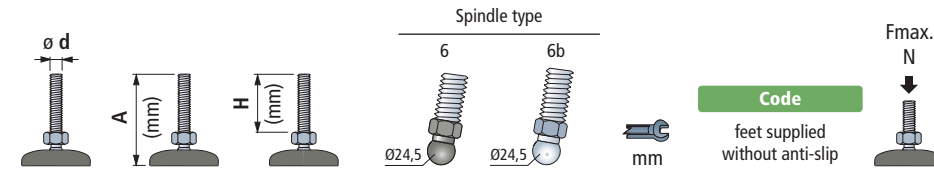
- Code : R0000630022.
- Material : NBR rubber (black), 70 Shore.
- Assembly : press-fit.
- Packaging : 24 pieces

Nut + Washer



Code		h	ØD	s
Stainless steel AISI 304	Zinc plated steel	mm	mm	mm
M12 R0000630192	R0000630122	10	19	24
M14 R0000630202	R0000630132	11	22	28
M16 R0000630212	R0000630142	13	24	30
M20 R0000630222	R0000630152	16	30	37
M24 R0000630232	R0000630162	19	36	44

Packaging : 8 pieces.



Spindle in stainless steel						
M12	100	53	6	-	19	673671
	150	103	6	-	19	673691
	195	149	6	-	19	673711
M14	150	103	6	-	19	673751
	195	149	6	-	19	673771
M16	100	53	6	-	24	673791
	115	74	-	6b	24	628782
	150	109	-	6b	24	628792
	185	144	-	6b	24	628802
	200	159	-	6b	24	628812
M20	220	181	-	6b	24	673931N
	115	74	-	6b	24	53171N
	180	139	-	6b	24	53161N
M24	245	204	-	6b	24	685641N
	120	79	-	6b	24	628862
	220	179	-	6b	24	628872
	255	216	-	6b	24	61634N

12000

Spindle in zinc plated steel						
M12	110	64	6	-	19	673511
	95	54	-	6b	24	628822
M16	130	89	-	6b	24	628832
	160	119	-	6b	24	628842
	195	154	-	6b	24	628852
M20	115	76	-	6b	24	53151N
	150	111	-	6b	24	61564N
	180	141	-	6b	24	52561N
	245	206	-	6b	24	66401N
M24	120	79	-	6b	24	628882
	185	144	-	6b	24	628892
	325	288	-	6b	24	673651N

12000

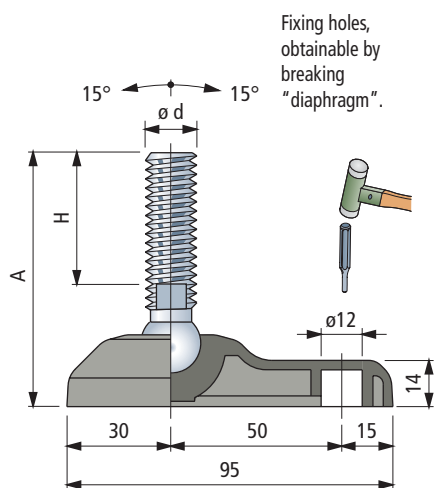
Item code for order = Part. + Code

- Footplate material : reinforced polyamide PA FV (black).
- Note : for spindles type 6 ball in reinforced polyamide.
- Packaging : 24 pieces.
- Anti-slip supplied separately.
- On request different length.
- Fmax. = maximum applicable load in static conditions.

Articulated Feet in reinforced polyamide

- ✔ Best choice
- ✔ Standard
- On request

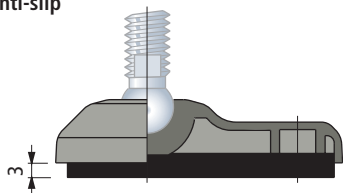
Part. **R0094**



Fixing holes, obtainable by breaking "diaphragm".

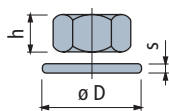
Accessories

Anti-slip



- Code : R0000630032.
- Material : NBR rubber (black), 70 Shore.
- Assembly : press-fit.
- Packaging : 24 pieces

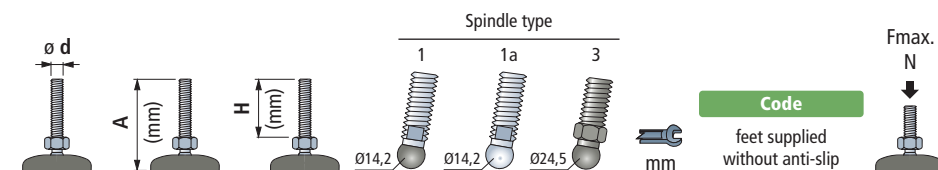
Nut + Washer



Code

	Stainless steel AISI 304	Zinc plated steel	h mm	mm	øD mm	s mm
M12	R0000630192	R0000630122	10	19	24	2,5
M14	R0000630202	R0000630132	11	22	28	2,5
M16	R0000630212	R0000630142	13	24	30	3
M20	R0000630222	R0000630152	16	30	37	3
M24	R0000630232	R0000630162	19	36	44	4

Packaging : 8 pieces.



Spindle in stainless steel								
			1	1a	3	mm	Code	Fmax. N
M12	90	55	1	-	-	10	626803	8000
	135	100	1	-	-	10	626813	
	185	150	1	-	-	10	626823	
M14	110	76	-	1a	-	11	626192	10000
	135	100	-	1a	-	11	626833	
	185	150	-	1a	-	11	626843	
M16	100	64	-	1a	-	13	626202	10000
	115	81	-	1a	-	13	626212	
	160	124	-	1a	-	13	626222	
	185	151	-	1a	-	13	626232	
	205	169	-	1a	-	13	626853	
M20	225	190	-	1a	-	13	626863	10000
	120	84	-	1a	-	16	626242	
	185	149	-	1a	-	16	626252	
M24	245	208	-	1a	-	16	626873	10000
	120	79	-	1a	-	19	626883	
	185	146	-	1a	-	19	626262	
M24	220	179	-	1a	-	19	626893	10000
	250	209	-	1a	-	19	626903	

Spindle in zinc plated steel								
			1	1a	3	mm	Code	Fmax. N
M12	105	70	1	-	-	10	626913	8000
M14	90	56	-	1a	-	11	626282	10000
	85	48	-	1a	-	13	626923	
	95	61	-	1a	-	13	626292	
	130	96	-	1a	-	13	626302	
	150	116	-	1a	-	13	626312	
	165	131	-	1a	-	13	626933	
M16	185	151	-	1a	-	13	626322	10000
	200	165	-	1a	-	13	626943	
	235	201	-	1a	-	13	626953	
	115	74	-	1a	-	16	626963	
	135	100	-	1a	-	16	626332	
M20	150	113	-	1a	-	16	626973	10000
	185	150	-	1a	-	16	626342	
	250	214	-	1a	-	16	626352	
M24	120	81	-	1a	-	19	626362	10000
	185	146	-	1a	-	19	626372	
	330	288	-	1a	-	19	626983	

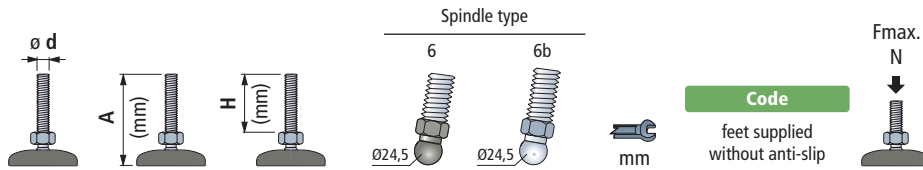
Spindle in reinforced polyamid (black) with steel pin								
			1	1a	3	mm	Code	Fmax. N
M16	100	54	-	-	3	24	690421	6000
M20	120	69	-	-	3	30	690441	
	180	129	-	-	3	30	690461	

Item code for order = Part. + Code

- Footplate material : reinforced polyamide PA FV (black).
- 24 - Note : for spindles type 1 ball in reinforced polyamide.
- 28 - Packaging : 24 pieces.
- 30 - Anti-slip supplied separately.
- 30 - On request different length.
- 37 - Fmax. = maximum applicable load in static conditions.

44

- Best choice
- Standard
- ✓ On request



Part. R0094

Reinforced version



Spindle in stainless steel						
	A (mm)	H (mm)	Spindle type	mm	Code	
M12	100	53	6	-	19	689561
	150	103	6	-	19	689581
	195	149	6	-	19	689601
M14	150	103	6	-	19	689681
	195	149	6	-	19	689701
M16	100	53	6	-	24	689741
	115	74	-	6b	24	626872
	150	109	-	6b	24	626882
	185	144	-	6b	24	626892
	200	159	-	6b	24	626902
M20	220	181	-	6b	24	689981N
	115	74	-	6b	24	690001N
	180	139	-	6b	24	690081N
M24	245	204	-	6b	24	690141N
	120	79	-	6b	24	626952
	220	179	-	6b	24	626962
	255	216	-	6b	24	690301N

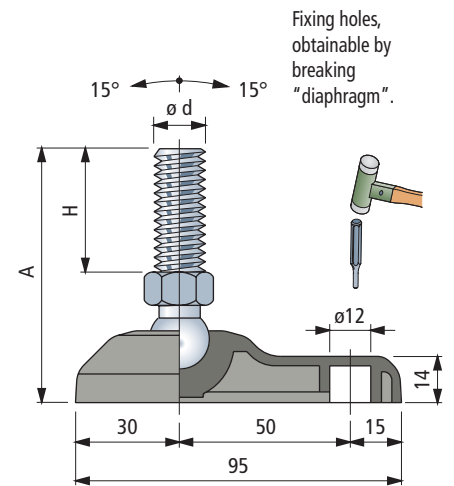
12000

Spindle in zinc plated steel						
	A (mm)	H (mm)	Spindle type	mm	Code	
M12	110	64	6	-	19	690481
	95	54	-	6b	24	626912
M16	130	89	-	6b	24	626922
	160	119	-	6b	24	626932
	195	154	-	6b	24	626942
M20	115	76	-	6b	24	690781N
	150	111	-	6b	24	690851N
	180	141	-	6b	24	690871N
	245	206	-	6b	24	690931N
M24	120	79	-	6b	24	626972
	185	144	-	6b	24	626982
	325	288	-	6b	24	691071N

12000

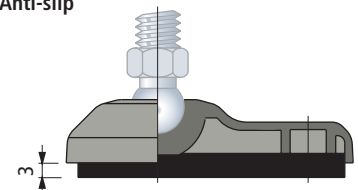
Item code for order = Part. + Code

- Footplate material : reinforced polyamide PA FV (black).
- Note : for spindles type 6 ball in reinforced polyamide.
- Packaging : 24 pieces.
- Anti-slip supplied separately.
- On request different length.
- Fmax. = maximum applicable load in static conditions.



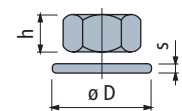
Accessories

Anti-slip



- Code : R0000630032.
- Material : NBR rubber (black), 70 Shore.
- Assembly : press-fit.
- Packaging : 24 pieces

Nut + Washer



	Code		h	ø D	s
	Stainless steel	Zinc plated steel	mm	mm	mm
M12	R0000630192	R0000630122	10	19	24
M14	R0000630202	R0000630132	11	22	28
M16	R0000630212	R0000630142	13	24	30
M20	R0000630222	R0000630152	16	30	37
M24	R0000630232	R0000630162	19	36	44

Packaging : 8 pieces.

Articulated Feet in reinforced polyamide

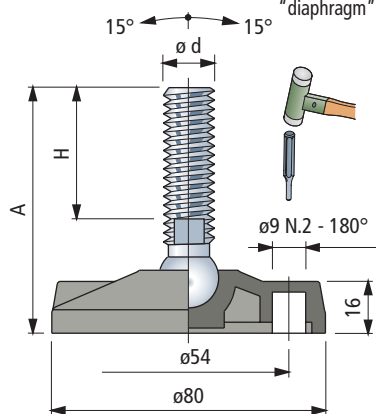


- ✔ **Best choice**
- ✔ **Standard**
- **On request**

Part. **R0323**

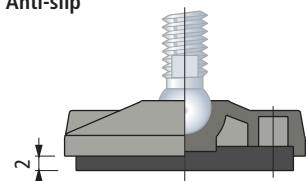


Fixing holes, obtainable by breaking "diaphragm".



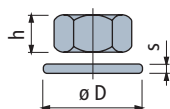
■ **Accessories**

Anti-slip



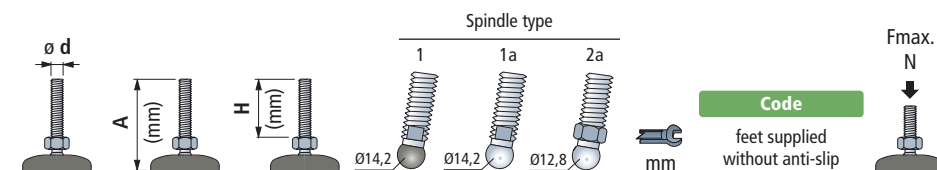
- Code : R0000630042.
- Material : NBR rubber (black), 70 Shore.
- Assembly : press-fit.
- Packaging : 24 pieces

Nut + Washer



Code		h	ø D	s		
Stainless steel AISI 304	Zinc plated steel	mm	mm	mm		
M8	-	R0000630102	6,5	13	17	1,6
M10	R0000630182	R0000630112	8	17	21	2
M12	R0000630192	R0000630122	10	19	24	2,5
M14	R0000630202	R0000630132	11	22	28	2,5
M16	R0000630212	R0000630142	13	24	30	3
M20	R0000630222	R0000630152	16	30	37	3
M24	R0000630232	R0000630162	19	36	44	4

Packaging : 24 pieces (for M8, M10).
8 pieces (for M12, M14, M16, M20, M24).



Spindle in stainless steel								Fmax. N
Spindle	A	H	1	1a	2a	Code		
M10	95	70	1	-	-	8	626993	8000
M12	95	70	1	-	-	10	627003	
	155	130	1	-	-	10	627013	10000
M14	105	76	-	1a	-	13	626572	
	95	64	-	1a	-	13	626582	
M16	110	81	-	1a	-	13	626592	
	155	124	-	1a	-	13	626602	
	180	151	-	1a	-	13	626612	
M20	115	84	-	1a	-	16	626622	
	180	149	-	1a	-	16	626632	
M24	180	146	-	1a	-	19	626642	

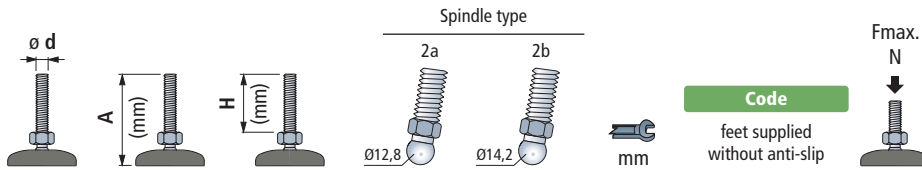
Spindle in zinc plated steel								Fmax. N
Spindle	A	H	1	1a	2a	Code		
M8	65	40	-	-	2a	12	678901N	9000
	60	33	-	-	2a	12	61384N	
M10	95	71	-	-	2a	12	60464N	9000
	145	118	-	-	2a	12	61404N	
M12	70	48	-	-	2a	12	61414N	9000
	95	69	-	-	2a	12	62313N	
M14	120	96	-	-	2a	12	678941N	10000
	85	56	-	1a	-	11	626662	
	90	61	-	1a	-	13	626672	
M16	125	96	-	1a	-	13	626682	10000
	145	116	-	1a	-	13	626692	
	180	151	-	1a	-	13	626702	
	230	201	-	1a	-	13	627023	
M20	130	100	-	1a	-	16	626712	10000
	180	150	-	1a	-	16	626722	
	245	214	-	1a	-	16	626732	
M24	115	81	-	1a	-	19	626742	10000
	180	146	-	1a	-	19	626752	

Item code for order = Part. + Code

- Footplate material : reinforced polyamide PA FV (black).
- Note : for spindles type 1 ball in reinforced polyamide.
- Packaging : 24 pieces.
- Anti-slip supplied separately.
- On request different length.
- Fmax. = maximum applicable load in static conditions.

- Best choice
- Standard
- ✓ On request

Part. **R0323**



Spindle in stainless steel						
M10	95	71	2a	-	12	65686N
M12	95	69	2a	-	12	65596N
	155	132	2a	-	12	679061N
M14	95	68	2a	-	12	626842
M16	100	72	2a	-	15	626852
	160	132	2a	-	15	626862

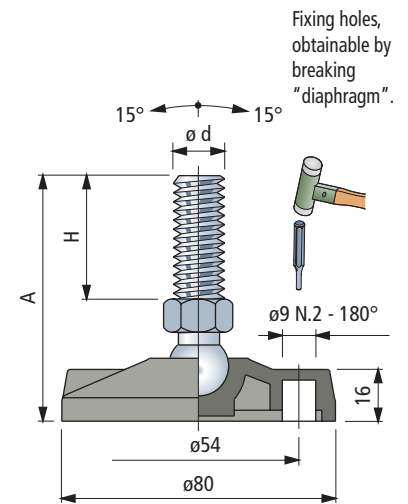
9000

Spindle in zinc plated steel						
M16	75	48	-	2b	16	685981N
	95	68	-	2b	16	62353N
	115	89	-	2b	16	686001N
	155	130	-	2b	16	686021N
	190	165	-	2b	16	62383N
	230	201	-	2b	16	679021N

10000

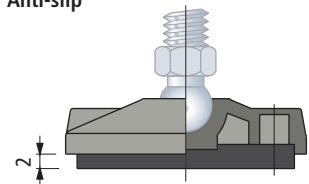
Item code for order = Part. + Code

- Footplate material : reinforced polyamide PA FV (black).
- Packaging : 24 pieces.
- Anti-slip supplied separately.
- On request different length.
- Fmax. = maximum applicable load in static conditions.



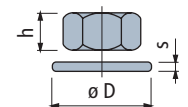
Accessories

Anti-slip



- Code : R0000630042.
- Material : NBR rubber (black), 70 Shore.
- Assembly : press-fit.
- Packaging : 24 pieces

Nut + Washer



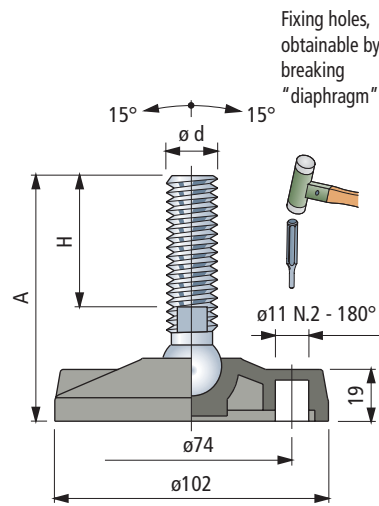
Code		h	s	ØD		
Stainless steel AISI 304	Zinc plated steel	mm	mm	mm		
M8	-	R0000630102	6,5	13	17	1,6
M10	R0000630182	R0000630112	8	17	21	2
M12	R0000630192	R0000630122	10	19	24	2,5
M14	R0000630202	R0000630132	11	22	28	2,5
M16	R0000630212	R0000630142	13	24	30	3
M20	R0000630222	R0000630152	16	30	37	3
M24	R0000630232	R0000630162	19	36	44	4

Packaging : 24 pieces (for M8, M10).
8 pieces (for M12, M14, M16, M20, M24).

Articulated Feet in reinforced polyamide

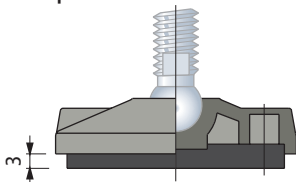
Part. **R0133**

- ✔ Best choice
- ✔ Standard
- On request



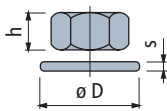
Accessories

Anti-slip



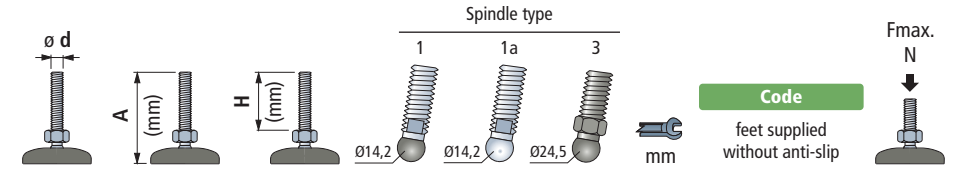
- Code : R0000630052.
- Material : NBR rubber (black), 70 Shore.
- Assembly : press-fit.
- Packaging : 24 pieces

Nut + Washer



	Code		h	s		ϕD	s
	Stainless steel AISI 304	Zinc plated steel	mm	mm	mm	mm	mm
M12	R0000630192	R0000630122	10	19	24	2,5	
M14	R0000630202	R0000630132	11	22	28	2,5	
M16	R0000630212	R0000630142	13	24	30	3	
M20	R0000630222	R0000630152	16	30	37	3	
M24	R0000630232	R0000630162	19	36	44	4	

Packaging : 8 pieces.



Spindle in stainless steel

M	Spindle type						Code	Fmax. N
	1	1a	3	mm				
M12	90	55	1	-	-	10	627033	8000
	135	100	1	-	-	10	627043	
	185	150	1	-	-	10	627053	
M14	110	76	-	1a	-	11	633192	12000
	135	100	-	1a	-	11	627063	
	185	150	-	1a	-	11	627073	
M16	100	64	-	1a	-	13	633202	12000
	115	81	-	1a	-	13	633212	
	160	124	-	1a	-	13	633222	
	185	151	-	1a	-	13	633232	
	205	169	-	1a	-	13	627083	
M20	120	84	-	1a	-	16	633242	12000
	185	149	-	1a	-	16	633252	
	245	208	-	1a	-	16	627103	
M24	120	79	-	1a	-	19	627113	12000
	185	146	-	1a	-	19	633262	
	220	179	-	1a	-	19	627123	
	250	209	-	1a	-	19	627133	

Spindle in zinc plated steel

M	Spindle type						Code	Fmax. N
	1	1a	3	mm				
M12	105	70	1	-	-	10	627143	8000
M14	90	56	-	1a	-	11	633282	12000
	85	48	-	1a	-	13	627153	
	95	61	-	1a	-	13	633292	
	130	96	-	1a	-	13	633302	
	150	116	-	1a	-	13	633312	
	165	131	-	1a	-	13	627163	
	185	151	-	1a	-	13	633322	
M16	200	165	-	1a	-	13	627173	12000
	235	201	-	1a	-	13	627183	
	115	74	-	1a	-	16	627193	
	135	100	-	1a	-	16	633332	
	150	113	-	1a	-	16	627203	
M20	185	150	-	1a	-	16	633342	12000
	250	214	-	1a	-	16	633352	
	120	81	-	1a	-	19	633362	
M24	185	146	-	1a	-	19	633372	12000
	330	288	-	1a	-	19	627213	

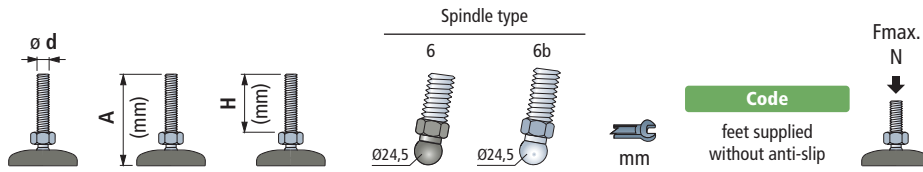
Spindle in reinforced polyamid (black) with steel pin

M	h	s	mm	mm	mm	mm	Code	Fmax. N
M16	100	54	-	-	3	24	627292	6000
M20	120	69	-	-	3	30	627302	
	180	129	-	-	3	30	627312	

Item code for order = Part. + Code

- Footplate material : reinforced polyamide PA FV (black).
- Note : for spindles type 1 ball in reinforced polyamide.
- Packaging : 24 pieces.
- Anti-slip supplied separately.
- On request different length.
- Fmax. = maximum applicable load in static conditions.

- Best choice
- Standard
- ✓ On request



Spindle in stainless steel						
			Spindle type		Code	
M12	100	53	6	-	19	679231N
	150	103	6	-	19	679251N
	195	149	6	-	19	679271N
M14	150	103	6	-	19	679311N
	195	149	6	-	19	679331N
M16	100	53	6	-	24	679351N
	115	74	-	6b	24	627212
	150	109	-	6b	24	627222
	185	144	-	6b	24	627232
	200	159	-	6b	24	627242
M20	220	181	-	6b	24	679461N1
	115	74	-	6b	24	627252N
	180	139	-	6b	24	627262N
M24	245	204	-	6b	24	686321N1
	120	79	-	6b	24	627272
	220	179	-	6b	24	627282
	255	216	-	6b	24	61994N1

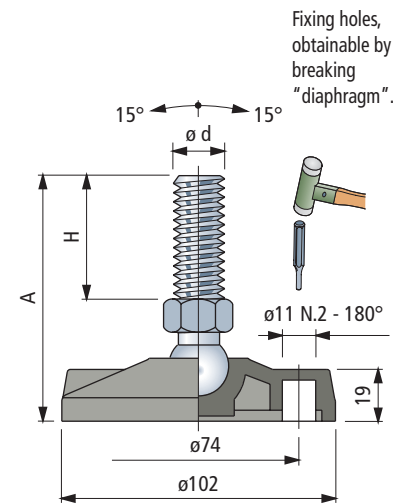
Spindle in zinc plated steel						
			Spindle type		Code	
M12	110	64	6	-	19	679121N
	95	54	-	6b	24	627322
M16	130	89	-	6b	24	627332
	160	119	-	6b	24	627342
	195	154	-	6b	24	627352
M20	115	76	-	6b	24	627362N
	150	111	-	6b	24	627372N
	180	141	-	6b	24	627382N
M24	245	206	-	6b	24	627392N
	120	79	-	6b	24	627402
	185	144	-	6b	24	627412
	325	288	-	6b	24	679211N1

Item code for order = Part. + Code

- Footplate material : reinforced polyamide PA FV (black).
- Note : for spindles type 6 ball in reinforced polyamide.
- Packaging : 24 pieces.
- Anti-slip supplied separately.
- On request different length.
- Fmax. = maximum applicable load in static conditions.

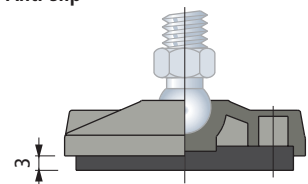
Part. R0133

Reinforced version



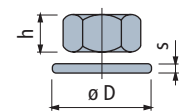
Accessories

Anti-slip



- Code : R0000630052.
- Material : NBR rubber (black), 70 Shore.
- Assembly : press-fit.
- Packaging : 24 pieces

Nut + Washer



	Code		h	s	øD
	Stainless steel AISI 304	Zinc plated steel	mm	mm	mm
M12	R0000630192	R0000630122	10	19	24
M14	R0000630202	R0000630132	11	22	28
M16	R0000630212	R0000630142	13	24	30
M20	R0000630222	R0000630152	16	30	37
M24	R0000630232	R0000630162	19	36	44

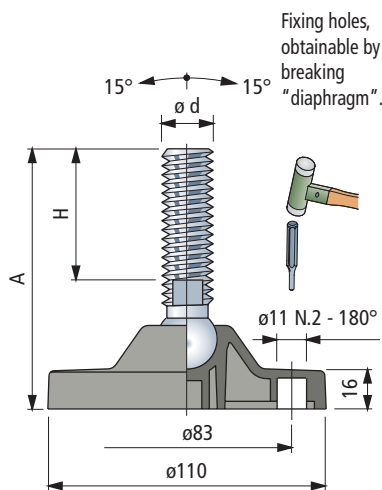
Packaging : 8 pieces.



Articulated Feet in reinforced polyamide

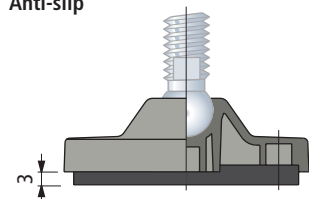
- ✔ Best choice
- ✔ Standard
- On request

Part. **R0479**



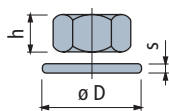
Accessories

Anti-slip



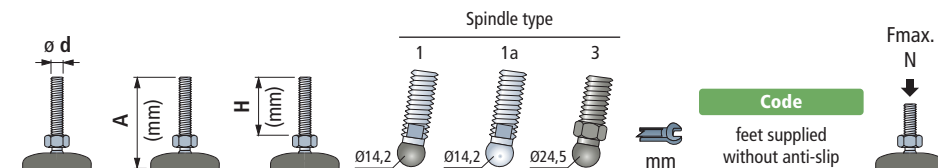
- Code : R0000630062.
- Material : NBR rubber (black), 70 Shore.
- Assembly : press-fit.
- Packaging : 16 pieces

Nut + Washer



	Code		h	s	∅D
	Stainless steel AISI 304	Zinc plated steel	mm	mm	mm
M12	R0000630192	R0000630122	10	19	24
M14	R0000630202	R0000630132	11	22	28
M16	R0000630212	R0000630142	13	24	30
M20	R0000630222	R0000630152	16	30	37
M24	R0000630232	R0000630162	19	36	44

Packaging : 8 pieces.



Spindle in stainless steel

Code	M	h (mm)	s (mm)	Spindle type			mm	Code	Fmax. N
				1	1a	3			
8000	M12	100	55	1	-	-	10	627223	8000
		145	100	1	-	-	10	627233	
		195	150	1	-	-	10	627243	
15000	M14	120	76	-	1a	-	11	633382	15000
		145	100	-	1a	-	11	627253	
		195	150	-	1a	-	11	627263	
	M16	110	64	-	1a	-	13	633392	
		125	81	-	1a	-	13	633402	
		170	124	-	1a	-	13	633412	
M20	195	151	-	1a	-	13	633422		
	215	169	-	1a	-	13	627273		
	235	190	-	1a	-	13	627283		
M24	130	84	-	1a	-	16	633432		
	195	149	-	1a	-	16	633442		
	255	208	-	1a	-	16	627293		
M24	130	79	-	1a	-	19	627303		
	195	146	-	1a	-	19	633452		
	230	179	-	1a	-	19	627313		
		260	209	-	1a	-	19	627323	

Spindle in zinc plated steel

Code	M	h (mm)	s (mm)	Spindle type			mm	Code	Fmax. N	
				1	1a	3				
8000	M12	115	70	1	-	-	10	627333	8000	
		M14	100	56	-	1a	-	11		633472
			95	48	-	1a	-	13		627343
15000	M16	105	61	-	1a	-	13	633482	15000	
		140	96	-	1a	-	13	633492		
		160	116	-	1a	-	13	633502		
		175	131	-	1a	-	13	627353		
		195	151	-	1a	-	13	633512		
		210	165	-	1a	-	13	627363		
M20	245	201	-	1a	-	13	627373			
	125	74	-	1a	-	16	627383			
	140	100	-	1a	-	16	633522			
M24	160	113	-	1a	-	16	627393			
	190	150	-	1a	-	16	633532			
	260	214	-	1a	-	16	633542			
M24	130	81	-	1a	-	19	633552			
	195	146	-	1a	-	19	633562			
	340	288	-	1a	-	19	627403			

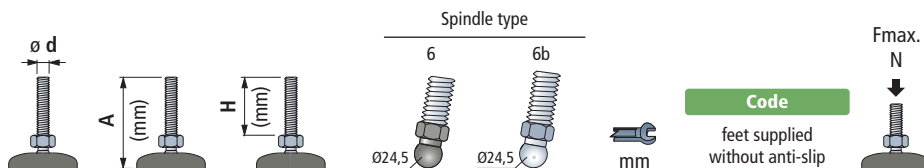
Spindle in reinforced polyamid (black) with steel pin

Code	M	h (mm)	s (mm)	Spindle type			mm	Code	Fmax. N	
				1	1a	3				
6000	M16	110	54	-	-	3	24	627502	6000	
		M20	130	69	-	-	3	30		627512
			190	129	-	-	3	30		627522

Item code for order = Part. + Code

- Footplate material : reinforced polyamide PA FV (black).
- Note : for spindles type 1 ball in reinforced polyamide.
- Packaging : 16 pieces.
- Anti-slip supplied separately.
- On request different length.
- Fmax. = maximum applicable load in static conditions.

- Best choice
- Standard
- ✓ On request



Spindle in stainless steel						
			Spindle type		Code	
M12	110	53	6	-	19	636181N
	160	103	6	-	19	636201N
	205	149	6	-	19	636221N
M14	160	103	6	-	19	636261N
	205	149	6	-	19	636271N
M16	110	53	6	-	24	636331N
	125	74	-	6b	24	627422
	160	109	-	6b	24	627432
	195	144	-	6b	24	627442
	210	159	-	6b	24	627452
M20	235	181	-	6b	24	675591N1
	125	74	-	6b	24	627462N
	190	139	-	6b	24	627472N
M24	255	204	-	6b	24	686561N1
	130	79	-	6b	24	627482
	230	179	-	6b	24	627492
	270	216	-	6b	24	636861N1

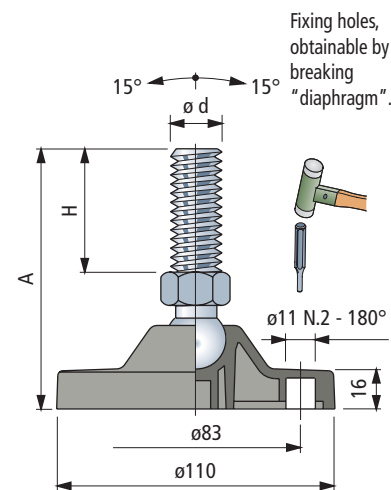
Spindle in zinc plated steel						
			Spindle type		Code	
M12	120	64	6	-	19	675341N
	105	54	-	6b	24	627532
M16	140	89	-	6b	24	627542
	170	119	-	6b	24	627552
	205	154	-	6b	24	627562
M20	125	76	-	6b	24	627572N
	165	111	-	6b	24	627582N
	190	141	-	6b	24	627592N
	255	206	-	6b	24	627602N
M24	130	79	-	6b	24	627612
	195	144	-	6b	24	627622
	340	288	-	6b	24	675501N1

Item code for order = Part. + Code

- Footplate material : reinforced polyamide PA FV (black).
- Note : for spindles type 6 ball in reinforced polyamide.
- Packaging : 16 pieces.
- Anti-slip supplied separately.
- On request different length.
- Fmax. = maximum applicable load in static conditions.

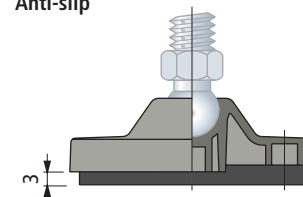
Part. R0479

Reinforced version



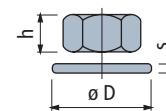
Accessories

Anti-slip



- Code : R0000630062.
- Material : NBR rubber (black), 70 Shore.
- Assembly : press-fit.
- Packaging : 16 pieces

Nut + Washer



	Code		h	s	ØD
	Stainless steel	Zinc plated steel	mm	mm	mm
M12	R0000630192	R0000630122	10	19	24
M14	R0000630202	R0000630132	11	22	28
M16	R0000630212	R0000630142	13	24	30
M20	R0000630222	R0000630152	16	30	37
M24	R0000630232	R0000630162	19	36	44

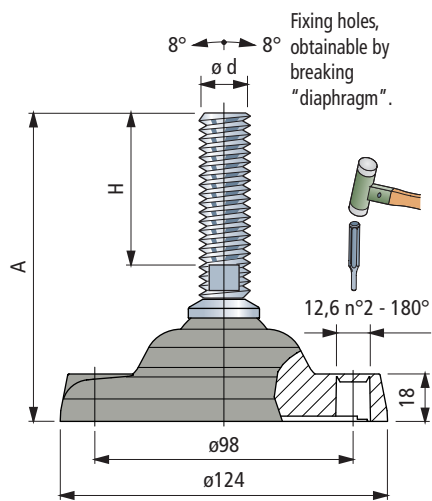
Packaging : 8 pieces.

Articulated Feet

in reinforced polyamide and polypropylene

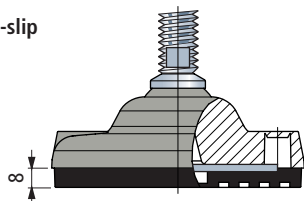
- Best choice**
- Standard**
- On request**

Part. R0869



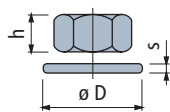
Accessories

Anti-slip



- Code with reinforcement disc : R0000630082.
- Code without reinforcement disc : R0000630092.
- Assembly : with screws for plate supplied loose.
- Material : NBR rubber (black), 80 Shore.
- Packaging : 8 pieces.

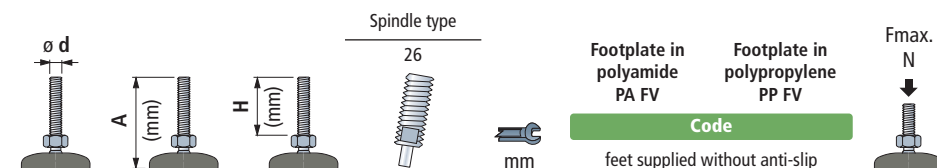
Nut + Washer



Code

	Stainless steel AISI 304	Zinc plated steel	h mm	øD mm	s mm
M16	R0000630212	R0000630142	13	24	30
M20	R0000630222	R0000630152	16	30	37
M24	R0000630232	R0000630162	19	36	44
M30	R0000630242	R0000630172	24	46	56

Packaging : 8 pieces.



Spindle in stainless steel

	Spindle type				Footplate in polyamide PA FV	Footplate in polypropylene PP FV	Fmax. N ↓
	110	140	170	200	Code	Code	
M16	110	140	170	200	618903	619283	45000 (PA FV)
	140	170	200	230	618913	619293	
	170	200	230	260	618923	619303	
	200	230	260	290	618933	619313	
	230	260	290	320	618943	619323	
M20	140	170	200	230	618963	619343	45000 (PA FV)
	170	200	230	260	618973	619353	
	200	230	260	290	618983	619363	
	230	260	290	320	618993	619373	
M24	140	170	200	230	619003	619383	13000 (PP FV)
	170	200	230	260	619013	619393	
	200	230	260	290	619023	619403	
M30	185	215	245	275	619043	619423	13000 (PP FV)
	215	245	275	305	619053	619433	
	245	275	305	335	619063	619443	

Spindle in zinc plated steel

	Spindle type				Footplate in polyamide PA FV	Footplate in polypropylene PP FV	Fmax. N ↓
	110	140	170	200	Code	Code	
M16	110	140	170	200	619073	619453	45000 (PA FV)
	140	170	200	230	619083	619463	
	170	200	230	260	619093	619473	
	200	230	260	290	619103	619483	
	230	260	290	320	619113	619493	
M20	140	170	200	230	619123	619503	45000 (PA FV)
	170	200	230	260	619133	619513	
	200	230	260	290	619143	619523	
	230	260	290	320	619153	619533	
M24	140	170	200	230	619163	619543	13000 (PP FV)
	170	200	230	260	619173	619553	
	200	230	260	290	619183	619563	
M30	185	215	245	275	619193	619573	13000 (PP FV)
	215	245	275	305	619203	619583	
	245	275	305	335	619213	619593	
	275	305	335	365	619223	619603	
	305	335	365	395	619233	619613	

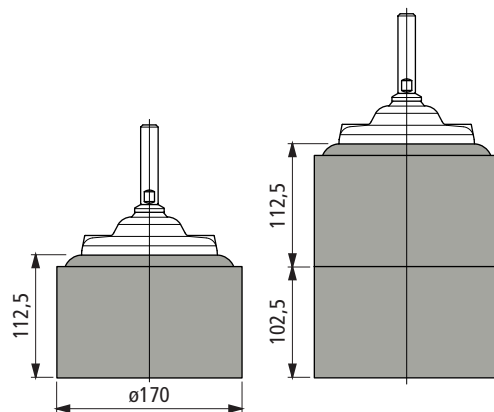
Item code for order = Part. + Code

- Footplate material : reinforced polyamide PA FV (black) and reinforced polypropylene PP FV (black).
- Packaging : 8 pieces.
- Anti-slip supplied separately (on request supplied fixed to the foot).
- On request different length.
- Fmax. = maximum applicable load in static conditions.

Part. R0726 - Spacer



- Code : 688772.
- Material : reinforced polyamide PA FV (black).
- Weight : 1,15 Kg.
- Packaging : 8 pieces.



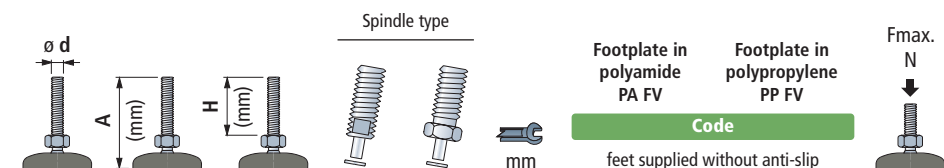
Articulated Feet

in reinforced polyamide and polypropylene



- Best choice
- Standard
- ✓ On request

Part. **R0169**

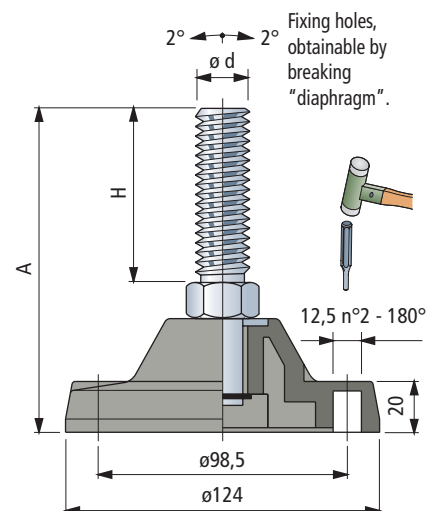


Spindle in stainless steel						Footplate in polyamide PA FV	Footplate in polypropylene PP FV	Fmax. N
						Code		
						feet supplied without anti-slip		
M16	255	200	21	-	13	604993	-	45000 (PA FV)
	140	81	-	22	30	624802	628682	
M20	205	146	-	22	30	624812	628692	13000 (PP FV)
	270	218	21	-	17	611523	611633	
M24	205	152	21	-	19	624822	628702	
M30	205	152	21	-	24	624832	628712	

Spindle in zinc plated steel						Footplate in polyamide PA FV	Footplate in polypropylene PP FV	Fmax. N
M16	255	200	-	22	24	624842	628722	45000 (PA FV)
	255	200	21	-	13	604983	-	
M20	140	81	-	22	30	624852	628732	13000 (PP FV)
	205	146	-	22	30	624862	628742	
	205	154	21	-	17	611653	636162	
	255	195	-	22	30	624872	628752	
M24	308	242	-	22	30	611663	611673	
	145	91	21	-	19	624882	628762	
	205	152	21	-	19	624892	628772	

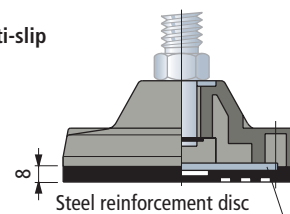
Item code for order = Part. + Code

- Footplate material : reinforced polyamide PA FV (black) and reinforced polypropylene PP FV (black).
- Packaging : 8 pieces.
- Anti-slip supplied separately (on request supplied fixed to the foot).
- On request different length.
- Fmax. = maximum applicable load in static conditions.



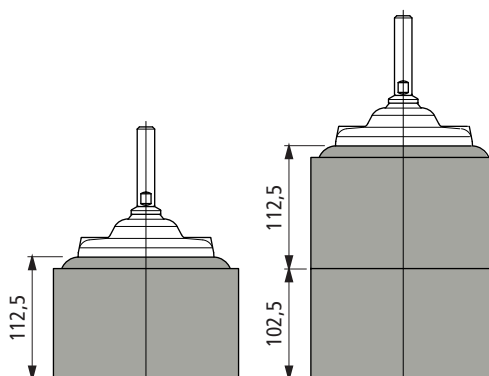
Accessories

Anti-slip



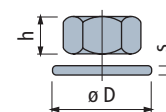
- Code with reinforcement disc : **R0000630082**.
- Code without reinforcement disc : **R0000630092**.
- Assembly : with screws for plate supplied loose.
- Material : NBR rubber (black), 80 Shore.
- Packaging : 8 pieces.

Part. **R0726 - Spacer**



- Code : **688772**.
- Material : reinforced polyamide PA FV (black).
- Weight : 1,15 Kg.
- Packaging : 8 pieces.

Nut + Washer



Code		h	s	ø D		
Stainless steel AISI 304	Zinc plated steel	mm	mm	mm		
M16	R0000630212	R0000630142	13	24	30	3
M20	R0000630222	R0000630152	16	30	37	3
M24	R0000630232	R0000630162	19	36	44	4
M30	R0000630242	R0000630172	24	46	56	4

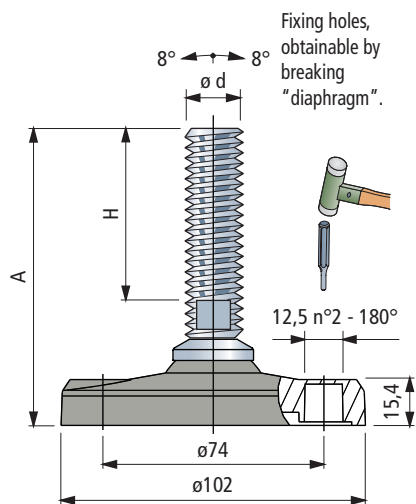
Packaging : 8 pieces.



Articulated Feet in reinforced polyamide

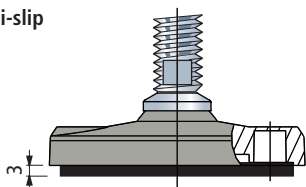
- ✔ Best choice
- ✔ Standard
- On request

Part. **R0134**



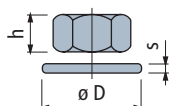
Accessories

Anti-slip



- Code : R0000630052.
- Material : NBR rubber (black), 70 Shore.
- Assembly : press-fit.
- Packaging : 24 pieces

Nut + Washer

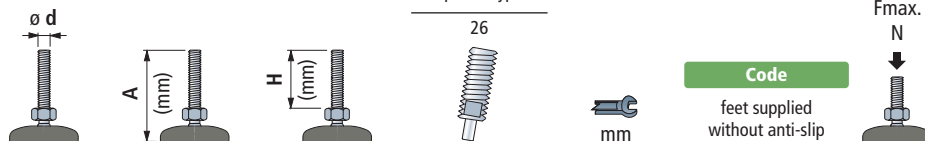


Code

	Stainless steel AISI 304	Zinc plated steel	h mm	mm	øD mm	s mm
M16	R0000630212	R0000630142	13	24	30	3
M20	R0000630222	R0000630152	16	30	37	3
M24	R0000630232	R0000630162	19	36	44	4
M30	R0000630242	R0000630172	24	46	56	4

Packaging : 8 pieces.

Spindle type



Code
feet supplied
without anti-slip

Spindle in stainless steel

M16	150	110	26	13	627413	20000
	180	140	26	13	627423	
M20	180	139	26	17	627433	20000
	195	147	26	19	627443	
M24	225	177	26	19	627453	20000
	170	117	26	24	627463	
M30	230	177	26	24	627473	20000

Spindle in zinc plated steel

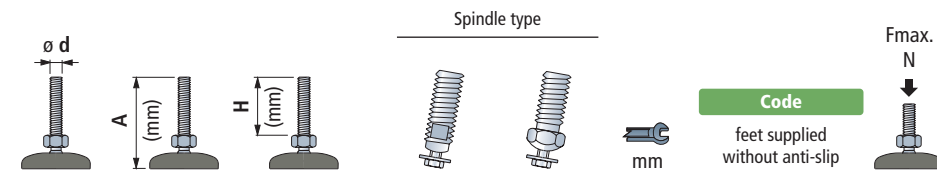
M20	150	109	26	17	627483	20000
	180	139	26	17	627493	
M30	170	117	26	24	627503	20000
	230	177	26	24	627513	
	300	247	26	24	627523	

Item code for order = Part. + Code

- Footplate material : reinforced polyamide PA FV (black).
- Packaging : 24 pieces.
- Anti-slip supplied separately.
- On request different length.
- Fmax. = maximum applicable load in static conditions.

- Best choice
- Standard
- ✓ On request

Part. **R0297**

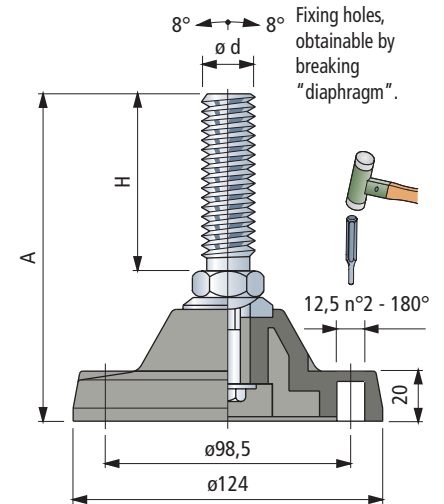


Spindle in stainless steel							45000
	A	H	Spindle type	mm	Code		
M16	175	118	-	12	22	629182	
	205	148	-	12	22	629192	
M20	205	148	-	12	22	629202	
M24	230	165	11	-	19	680371N	
M30	190	120	11	-	27	629212	
	250	180	11	-	27	629222	

Spindle in zinc plated steel							45000
	A	H	Spindle type	mm	Code		
M20	155	100	-	12	22	629232	
	195	140	-	12	22	629242	
M30	190	120	11	-	27	629252	
	250	180	11	-	27	629262	
	325	250	11	-	27	688071N	

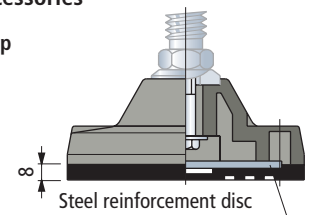
Item code for order = Part. + Code

- Footplate material : reinforced polyamide PA FV (black).
- Packaging : 8 pieces.
- Anti-slip supplied separately (on request supplied fixed to the foot).
- On request different length.
- Fmax. = maximum applicable load in static conditions.



■ Accessories

Anti-slip

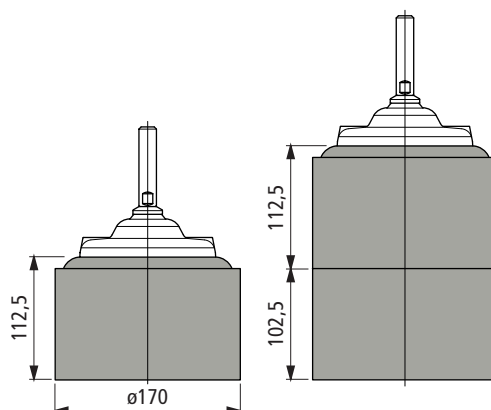


- Code with reinforcement disc : **R0000630082**.
- Code without reinforcement disc : **R0000630092**.
- Assembly : with screws for plate supplied loose.
- Material : NBR rubber (black), 80 Shore.
- Packaging : 8 pieces.

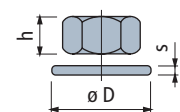
Part. **R0726 - Spacer**



- Code : **688772**.
- Material : reinforced polyamide PA FV (black).
- Weight : 1,15 Kg.
- Packaging : 8 pieces.



Nut + Washer



	Code		h	mm	ø D	s
	Stainless steel AISI 304	Zinc plated steel				
M16	R0000630212	R0000630142	13	24	30	3
M20	R0000630222	R0000630152	16	30	37	3
M24	R0000630232	R0000630162	19	36	44	4
M30	R0000630242	R0000630172	24	46	56	4

Packaging : 8 pieces.

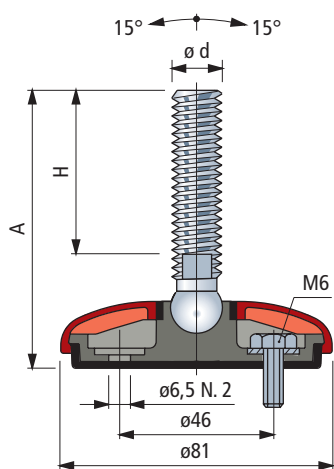
Articulated Feet Gripper in reinforced polypropylene



- ✔ **Best choice**
- ✔ **Standard**
- **On request**

Part. R0626

Microban® antibacterial protection



Protection cap

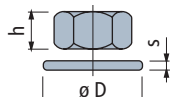


Colour	Code
Dark grey	R0626641912
White	R0626641922
Blue	R0626641932
Orange	R0626641942
Black	R0626641952

- Material : polypropylene PP, with Microban® antibacterial protection.
- Packaging : 24 pieces.
- Customized cap with customer logo.
- Other colours available upon request.

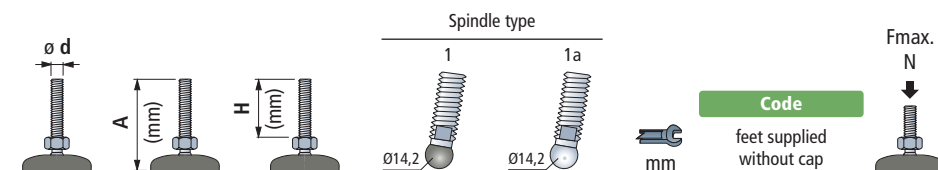
Accessories

Nut + Washer



	Code		h	s	ø D
	Stainless steel AISI 304	Zinc plated steel	mm	mm	mm
M10	R0000630182	R0000630112	8	17	21
M12	R0000630192	R0000630122	10	19	24
M14	R0000630202	R0000630132	11	22	28
M16	R0000630212	R0000630142	13	24	30
M20	R0000630222	R0000630152	16	30	37
M24	R0000630232	R0000630162	19	36	44

Packaging : 24 pieces (for M10).
8 pieces (for M12, M14, M16, M20, M24).



Spindle in stainless steel

M	A (mm)	H (mm)	Spindle type	mm	Code	Fmax. N
M10	100	70	1	8	627533	8000
	85	55	1	10	627543	
M12	145	115	1	10	627553	10000
	110	76	-	1a	13	
M16	100	64	-	1a	13	641722
	115	81	-	1a	13	641732
	160	124	-	1a	13	641742
	185	151	-	1a	13	641752
M20	120	84	-	1a	16	641762
	185	149	-	1a	16	641772
M24	185	146	-	1a	19	641782

Spindle in zinc plated steel

M	A (mm)	H (mm)	Spindle type	mm	Code	Fmax. N
M10	60	30	1	8	602603	8000
	95	65	1	8	627563	
	145	115	1	8	627573	
M12	65	35	1	10	627583	10000
	100	70	1	10	627593	
	120	90	1	10	627603	
M14	90	56	-	1a	11	641792
	95	61	-	1a	13	641812
	130	96	-	1a	13	641822
M16	150	116	-	1a	13	641832
	185	151	-	1a	13	641842
	235	201	-	1a	13	627613
M20	135	100	-	1a	16	641862
	185	150	-	1a	16	641872
M24	250	214	-	1a	16	641882
	120	81	-	1a	19	641892
	185	146	-	1a	19	641902



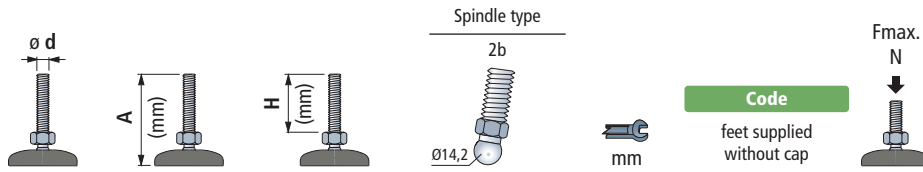
Foot base and protection cap, supplied with Microban® antibacterial protection. By penetrating the cell wall of bacteria Microban® inhibits the growth of most common food poisoning bacteria, such as E.coli, Salmonella, Listeria, S-aureus, Campylobacter, which can cause contamination and odour.

Item code for order = Part. + Code

* = Feet are supplied without protection caps. Caps have to be ordered separately, indicating selected colour.

- Base material : reinforced polypropylene with integrated anti-slip in thermoplastic rubber grey (80 Shore).
- Materials are supplied with Microban® antibacterial protection.
- The sealing of the internal structure guarantees a better hygiene.
- Feet can be fixed to the floor.
- Note : for spindles type 1 ball in reinforced polyamide.
- Packaging : 24 pieces.
- On request different length.
- Fmax. = maximum applicable load in static conditions.

- Best choice
- Standard
- ✓ On request



Spindle in stainless steel						Code	feet supplied without cap	Fmax. N	
M10	95	67	2b	14	641392				10000
M12	85	55	2b	14	641402				
	145	115	2b	14	641412				

Spindle in zinc plated steel						Code	feet supplied without cap	Fmax. N	
M10	60	30	2b	14	641522				10000
	95	65	2b	14	641532				
	145	115	2b	14	641542				
M12	65	35	2b	14	641552	10000			
	100	70	2b	14	641562				
	120	90	2b	14	641572				
M16	80	48	2b	16	641592	10000			
	100	68	2b	16	641602				
	120	89	2b	16	641612				
	160	130	2b	16	643052				
	195	165	2b	16	641632				
	235	201	2b	16	641642				

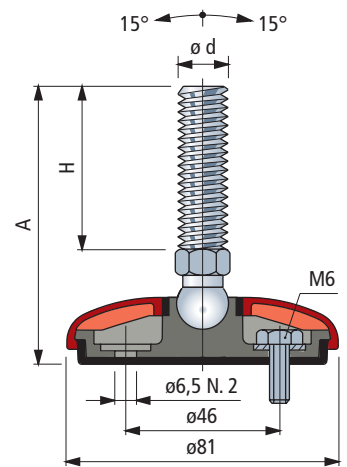
Microban® antibacterial protection. By penetrating the cell wall of bacteria Microban® inhibits the growth of most common food poisoning bacteria, such as E.coli, Salmonella, Listeria, S-aureus, Campylobacter, which can cause contamination and odour.

Item code for order = Part. + Code

- * = Feet are supplied without protection caps. Caps have to be ordered separately, indicating selected colour.
- Base material : reinforced polypropylene with integrated anti-slip in thermoplastic rubber grey (80 Shore).
- Materials are supplied with Microban® antibacterial protection.
- The sealing of the internal structure guarantees a better hygiene.
- Feet can be fixed to the floor.
- Packaging : 24 pieces.
- On request different length.
- Fmax. = maximum applicable load in static conditions.

Part. R0626

Microban® antibacterial protection



Protection cap

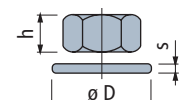


Colour	Code
Dark grey	R0626641912
White	R0626641922
Blue	R0626641932
Orange	R0626641942
Black	R0626641952

- Material : polypropylene PP, with Microban® antibacterial protection.
- Packaging : 24 pieces.
- Customized cap with customer logo.
- Other colours available upon request.

Accessories

Nut + Washer



	Code		h	ø D	s	
	Stainless steel AISI 304	Zinc plated steel	mm	mm	mm	
M10	R0000630182	R0000630112	8	17	21	2
M12	R0000630192	R0000630122	10	19	24	2,5
M14	R0000630202	R0000630132	11	22	28	2,5
M16	R0000630212	R0000630142	13	24	30	3
M20	R0000630222	R0000630152	16	30	37	3
M24	R0000630232	R0000630162	19	36	44	4

Packaging : 24 pieces (for M10).
8 pieces (for M12, M14, M16, M20, M24).

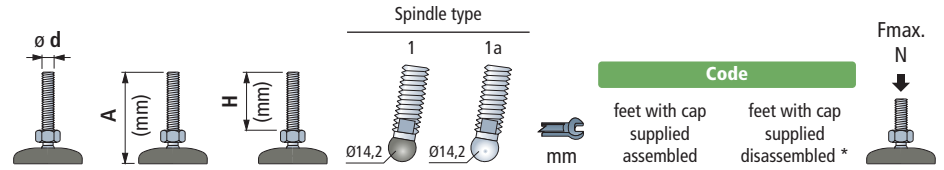
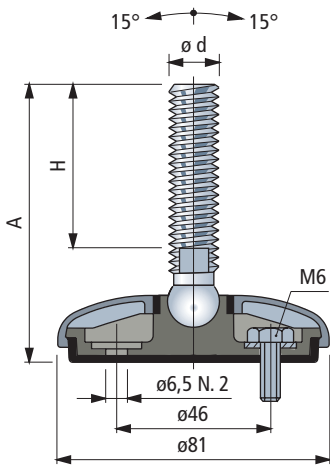


Articulated Feet Gripper in stainless steel

- ✔ **Best choice**
- ✔ **Standard**
- **On request**

Part. R0627

Microban® antibacterial protection



Spindle in stainless steel						Code		Fmax. N ↓
						feet with cap supplied assembled	feet with cap supplied disassembled *	
M10	100	70	1	-	8	627623	627653	8000
M12	85	55	1	-	10	627633	627663	
	145	115	1	-	10	627643	627673	
M14	110	76	-	1a	13	642102	647322	10000
	100	64	-	1a	13	642112	647332	
M16	115	81	-	1a	13	642122	647342	
	160	124	-	1a	13	642132	647352	
	185	151	-	1a	13	642142	647362	
M20	120	84	-	1a	16	642152	647372	
	185	149	-	1a	16	642162	647382	
M24	185	149	-	1a	19	642172	647392	

Microban® Foot base is supplied with Microban® antibacterial protection. By penetrating the cell wall of bacteria Microban® inhibits the growth of most common food poisoning bacteria, such as E.coli, Salmonella, Listeria, S-aureus, Campylobacter, which can cause contamination and odour.

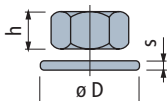
Item code for order = Part. + Code

* = Feet can be fixed to the floor.

- Protection cap material : stainless steel AISI 304.
- Base material : reinforced polypropylene with integrated anti-slip in thermoplastic rubber grey (80 Shore). Materials are supplied with Microban® antibacterial protection.
- The sealing of the internal structure guarantees a better hygiene.
- Note : for spindles type 1 ball in reinforced polyamide.
- Packaging : 24 pieces.
- On request different length.
- Fmax. = maximum applicable load in static conditions.

Accessories

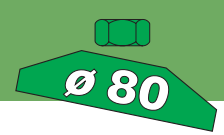
Nut + Washer



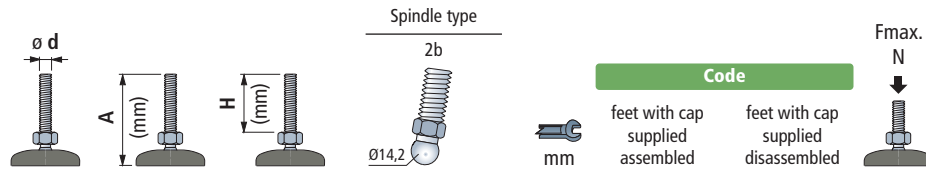
	Code	h mm	mm	øD mm	s mm
M10	R0000630182	8	17	21	2
M12	R0000630192	10	19	24	2,5
M14	R0000630202	11	22	28	2,5
M16	R0000630212	13	24	30	3
M20	R0000630222	16	30	37	3
M24	R0000630232	19	36	44	4

Packaging : 24 pieces (for M10).
8 pieces (for M12, M14, M16, M20, M24).

Articulated Feet Gripper in stainless steel



- Best choice
- Standard
- ✓ On request



Spindle in stainless steel				Code		Fmax. N
			mm	feet with cap supplied assembled	feet with cap supplied disassembled	
M10	95	67	2b	14	641972	647292
M12	85	55	2b	14	641982	647302
	145	115	2b	14	641992	647312

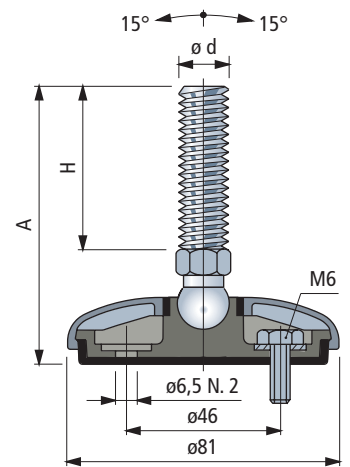
Microban® Foot base is supplied with Microban® antibacterial protection. By penetrating the cell wall of bacteria Microban® inhibits the growth of most common food poisoning bacteria, such as E.coli, Salmonella, Listeria, S-aureus, Campylobacter, which can cause contamination and odour.

Item code for order = Part. + Code

- * = Feet can be fixed to the floor.
- Protection cap material : stainless steel AISI 304.
- Base material : reinforced polypropylene with integrated anti-slip in thermoplastic rubber grey (80 Shore).
- Materials are supplied with Microban® antibacterial protection.
- The sealing of the internal structure guarantees a better hygiene.
- Note : for spindles type 1 ball in reinforced polyamide.
- Packaging : 24 pieces.
- On request different length.
- Fmax. = maximum applicable load in static conditions.

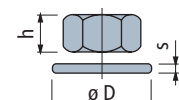
Part. R0627

Microban® antibacterial protection



Accessories

Nut + Washer



	Code	Stainless steel AISI 304	h mm	s mm	øD mm
M10	R0000630182		8	17	21
M12	R0000630192		10	19	24
M14	R0000630202		11	22	28
M16	R0000630212		13	24	30
M20	R0000630222		16	30	37
M24	R0000630232		19	36	44

Packaging : 24 pieces (for M10).
8 pieces (for M12, M14, M16, M20, M24).



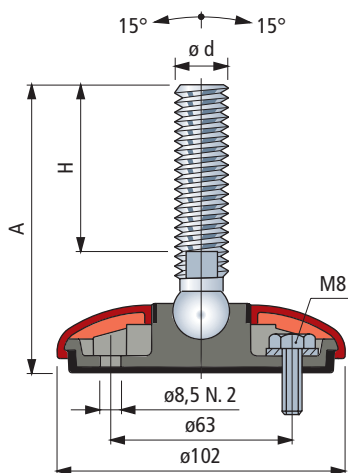
Articulated Feet Gripper

in reinforced polypropylene

- ✔ **Best choice**
- ✔ **Standard**
- **On request**

Part. R0622

Microban® antibacterial protection



Protection cap

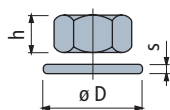


Colour	Code
Dark grey	R0622637052
White	R0622637062
Blue	R0622637072
Orange	R0622637082
Black	R0622639412

- Material : polypropylene PP, with Microban® antibacterial protection.
- Packaging : 24 pieces.
- Customized cap with customer logo.
- Other colours available upon request.

Accessories

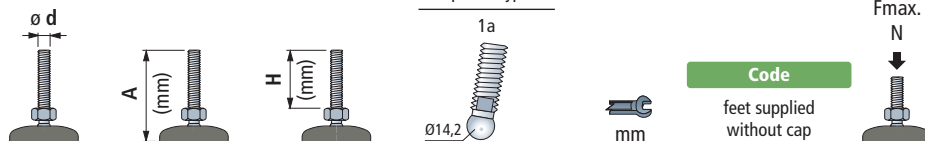
Nut + Washer



	Code		h mm	mm	øD mm	s mm
	Stainless steel AISI 304	Zinc plated steel				
M14	R0000630202	R0000630132	11	22	28	2,5
M16	R0000630212	R0000630142	13	24	30	3
M20	R0000630222	R0000630152	16	30	37	3
M24	R0000630232	R0000630162	19	36	44	4

Packaging : 8 pieces.

Spindle type



Code
feet supplied
without cap

Spindle in stainless steel

M14	115	76	1a	11	643542	19500
	105	64	1a	13	643552	
	120	81	1a	13	643562	
M16	150	100	1a	13	640372N	
	165	124	1a	13	643572	
	190	151	1a	13	643582	
	200	150	1a	13	640392N	
M20	125	84	1a	16	643592	
	190	149	1a	16	643602	
M24	120	74	1a	19	640402N	
	190	146	1a	19	643612	
	220	172	1a	19	640412N	

Spindle in zinc plated steel

M14	95	56	1a	11	643622	19500
	100	61	1a	13	643632	
M16	135	96	1a	13	643642	
	155	116	1a	13	643652	
	190	151	1a	13	643662	
M20	120	74	1a	16	637382N	
	140	100	1a	16	643672	
	155	106	1a	16	637392N	
	190	150	1a	16	643682	
	255	214	1a	16	643692	
M24	125	81	1a	19	643702	
	190	146	1a	19	643712	



Foot base and protection cap, supplied with Microban® antibacterial protection. By penetrating the cell wall of bacteria Microban® inhibits the growth of most common food poisoning bacteria, such as E.coli, Salmonella, Listeria, S-aureus, Campylobacter, which can cause contamination and odour.

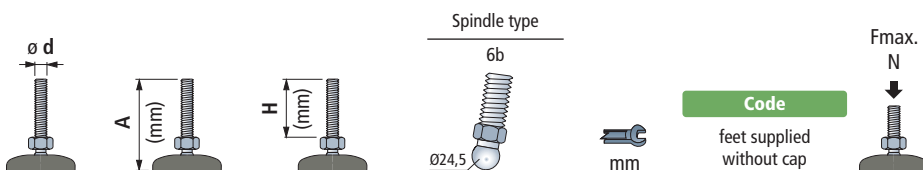
Item code for order = Part. + Code

- * = Feet are supplied without protection caps. Caps have to be ordered separately, indicating selected colour.
- Base material : reinforced polypropylene with integrated anti-slip in thermoplastic rubber grey (80 Shore).
- Materials are supplied with Microban® antibacterial protection.
- The sealing of the internal structure guarantees a better hygiene.
- Feet can be fixed to the floor.
- Packaging : 24 pieces.
- On request different length.
- Fmax. = maximum applicable load in static conditions.

- Best choice
- Standard
- ✓ On request

Part. **R0622**

Microban® antibacterial protection



Spindle in stainless steel					
M16	115	74	6b	24	637262
	150	109	6b	24	637272
	185	144	6b	24	637282
M20	200	159	6b	24	637292
	120	76	6b	24	637442
	185	141	6b	24	637452
M24	120	79	6b	24	637322
	220	179	6b	24	637332

19500

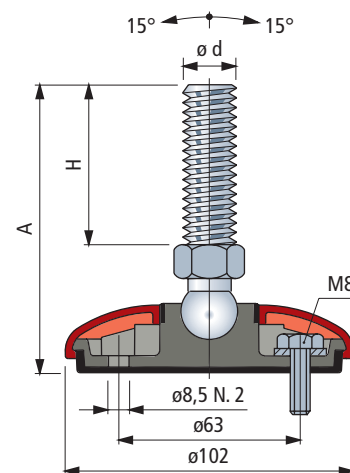
Spindle in zinc plated steel					
M16	95	54	6b	24	637342
	130	89	6b	24	637352
	160	119	6b	24	637362
	195	154	6b	24	637372
M20	120	76	6b	24	637462
	155	111	6b	24	637472
	185	141	6b	24	637482
M24	250	206	6b	24	637492
	120	79	6b	24	637422
	185	144	6b	24	637432

19500

Microban® Foot base and protection cap, supplied with Microban® antibacterial protection. By penetrating the cell wall of bacteria Microban® inhibits the growth of most common food poisoning bacteria, such as E.coli, Salmonella, Listeria, S-aureus, Campylobacter, which can cause contamination and odour.

Item code for order = Part. + Code

- * = Feet are supplied without protection caps. Caps have to be ordered separately, indicating selected colour.
- Base material : reinforced polypropylene with integrated anti-slip in thermoplastic rubber grey (80 Shore).
- Materials are supplied with Microban® antibacterial protection.
- The sealing of the internal structure guarantees a better hygiene.
- Feet can be fixed to the floor.
- Packaging : 24 pieces.
- On request different length.
- Fmax. = maximum applicable load in static conditions.



Protection cap

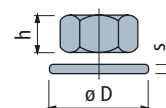


Colour	Code
Dark grey	R0622637052
White	R0622637062
Blue	R0622637072
Orange	R0622637082
Black	R0622639412

- Material : polypropylene PP, with Microban® antibacterial protection.
- Packaging : 24 pieces.
- Customized cap with customer logo.
- Other colours available upon request.

Accessories

Nut + Washer



	Code		h	s	ø D
	Stainless steel AISI 304	Zinc plated steel	mm	mm	mm
M14	R0000630202	R0000630132	11	22	28
M16	R0000630212	R0000630142	13	24	30
M20	R0000630222	R0000630152	16	30	37
M24	R0000630232	R0000630162	19	36	44

Packaging : 8 pieces.

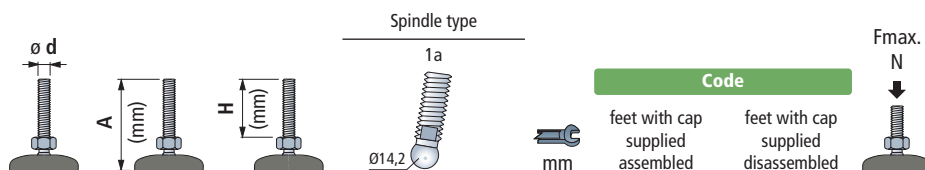
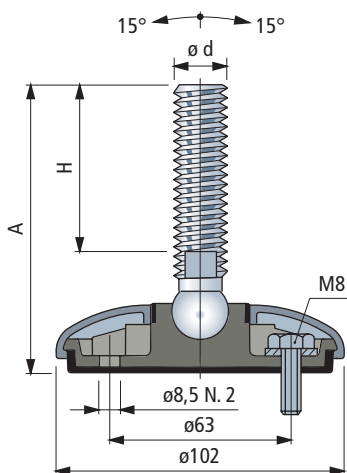
Articulated Feet Gripper

in stainless steel

- ✔ **Best choice**
- ✔ **Standard**
- **On request**

Part. R0623

Microban® antibacterial protection



Spindle in stainless steel							
					Code		
M14	115	76	1a	11	643722	647402	19500
	105	64	1a	13	643732	647412	
	120	81	1a	13	643742	647442	
M16	150	100	1a	13	640492N	647462N	
	165	124	1a	13	643752	647472	
	190	151	1a	13	643762	647502	
	200	150	1a	13	640512N	647522N	
M20	125	84	1a	16	643772	647552	
	190	149	1a	16	643782	647582	
M24	120	74	1a	19	640522N	647602N	
	190	146	1a	19	643792	647612	
	220	172	1a	19	640532N	647632N	

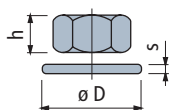
Microban® Foot base is supplied with Microban® antibacterial protection. By penetrating the cell wall of bacteria Microban® inhibits the growth of most common food poisoning bacteria, such as E.coli, Salmonella, Listeria, S-aureus, Campylobacter, which can cause contamination and odour.

Item code for order = Part. + Code

- * = Feet can be fixed to the floor.
- Protection cap material : stainless steel AISI 304.
- Base material : reinforced polypropylene with integrated anti-slip in thermoplastic rubber grey (80 Shore). Materials are supplied with Microban® antibacterial protection.
- The sealing of the internal structure guarantees a better hygiene.
- Note : for spindles type 1 ball in reinforced polyamide.
- Packaging : 24 pieces.
- On request different length.
- Fmax. = maximum applicable load in static conditions.

Accessories

Nut + Washer



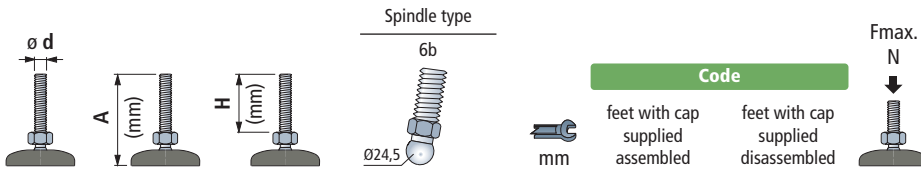
	Code	h	øD	s
M14	R0000630202	11	22	2,5
M16	R0000630212	13	24	3
M20	R0000630222	16	30	3
M24	R0000630232	19	36	4

Packaging : 8 pieces.

- **Best choice**
- **Standard**
- ✓ **On request**

Part. R0623

Microban® antibacterial protection



Spindle in stainless steel						
			Spindle type	mm	Code	
M16	115	74	6b	24	637512	647422
	150	109	6b	24	637522	647452
	185	144	6b	24	637532	647482
	200	159	6b	24	637542	647512
M20	120	74	6b	24	637692	647532
	185	139	6b	24	637702	647562
M24	120	79	6b	24	637572	647592
	220	179	6b	24	637582	647622

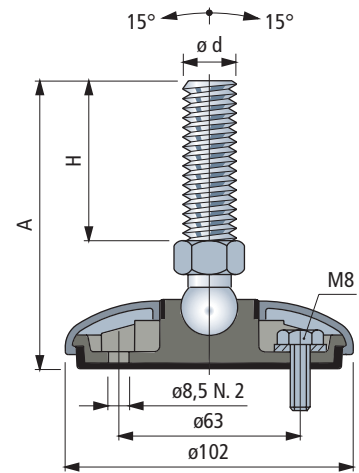
19500



Microban® Foot base is supplied with Microban® antibacterial protection. By penetrating the cell wall of bacteria Microban® inhibits the growth of most common food poisoning bacteria, such as E.coli, Salmonella, Listeria, S-aureus, Campylobacter, which can cause contamination and odour.

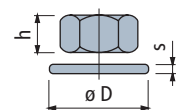
Item code for order = Part. + Code

- * = Feet can be fixed to the floor.
- Protection cap material : stainless steel AISI 304.
- Base material : reinforced polypropylene with integrated anti-slip in thermoplastic rubber grey (80 Shore).
- Materials are supplied with Microban® antibacterial protection.
- The sealing of the internal structure guarantees a better hygiene.
- Note : for spindles type 1 ball in reinforced polyamide.
- Packaging : 24 pieces.
- On request different length.
- Fmax. = maximum applicable load in static conditions.



Accessories

Nut + Washer



	Code	Stainless steel AISI 304	h mm	mm	øD mm	s mm
M14	R0000630202		11	22	28	2,5
M16	R0000630212		13	24	30	3
M20	R0000630222		16	30	37	3
M24	R0000630232		19	36	44	4

Packaging : 8 pieces.



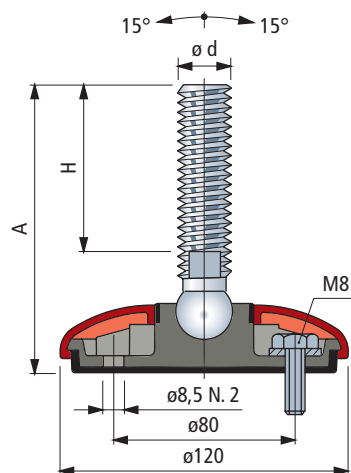
Articulated Feet Gripper

in reinforced polypropylene

- ✔ **Best choice**
- ✔ **Standard**
- **On request**

Part. R0628

Microban® antibacterial protection



Protection cap

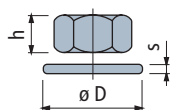


Colour	Code
Dark grey	R0628643062
White	R0628643072
Blue	R0628643082
Orange	R0628643092
Black	R0628643102

- Material : polypropylene PP, with Microban® antibacterial protection.
- Packaging : 24 pieces.
- Customized cap with customer logo.
- Other colours available upon request.

Accessories

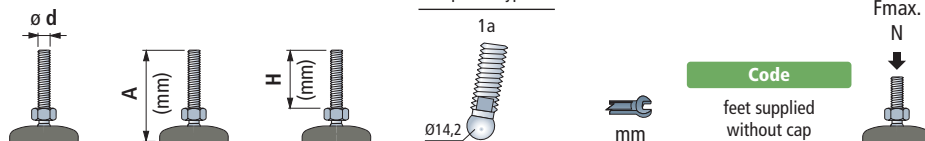
Nut + Washer



	Code		h mm	ϕD mm	s mm
	Stainless steel AISI 304	Zinc plated steel			
M14	R0000630202	R0000630132	11	22	2,5
M16	R0000630212	R0000630142	13	24	3
M20	R0000630222	R0000630152	16	30	3
M24	R0000630232	R0000630162	19	36	4

Packaging : 8 pieces.

Spindle type



Spindle in stainless steel

Spindle	A (mm)	H (mm)	Spindle type	mm	Code	Fmax. N
M14	120	76	1a	11	643802	22000
	110	64	1a	13	643812	
	125	81	1a	13	643822	
M16	155	100	1a	13	642472N	
	170	124	1a	13	643832	
	195	151	1a	13	643842	
	205	150	1a	13	642512N	
M20	130	84	1a	16	643852	
	195	149	1a	16	643862	
M24	125	74	1a	19	642572N	
	195	146	1a	19	643872	
	225	172	1a	19	642592N	

Spindle in zinc plated steel

Spindle	A (mm)	H (mm)	Spindle type	mm	Code	Fmax. N
M14	100	56	1a	11	643882	22000
	105	61	1a	13	643892	
M16	140	96	1a	13	643902	
	160	116	1a	13	643912	
	195	151	1a	13	643922	
M20	125	74	1a	16	642692N	
	145	100	1a	16	643932	
	160	106	1a	16	642712N	
	195	150	1a	16	643942	
M24	260	214	1a	16	643952	
	130	81	1a	19	643962	
	195	146	1a	19	643972	

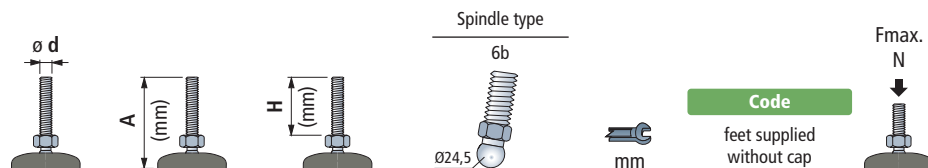


Foot base and protection cap, supplied with Microban® antibacterial protection. By penetrating the cell wall of bacteria Microban® inhibits the growth of most common food poisoning bacteria, such as E.coli, Salmonella, Listeria, S-aureus, Campylobacter, which can cause contamination and odour.

Item code for order = Part. + Code

- * = Feet are supplied without protection caps. Caps have to be ordered separately, indicating selected colour.
- Base material : reinforced polypropylene with integrated anti-slip in thermoplastic rubber grey (80 Shore).
- Materials are supplied with Microban® antibacterial protection.
- The sealing of the internal structure guarantees a better hygiene.
- Feet can be fixed to the floor.
- Packaging : 24 pieces.
- On request different length.
- Fmax. = maximum applicable load in static conditions.

- Best choice
- Standard
- ✓ On request



Spindle in stainless steel					
M16	120	74	6b	24	642442
	155	109	6b	24	642462
	190	144	6b	24	642482
	205	159	6b	24	642502
M20	125	76	6b	24	642522
	190	141	6b	24	642542
M24	125	79	6b	24	642562
	225	179	6b	24	642582

22000

Spindle in zinc plated steel					
M16	100	54	6b	24	642602
	135	89	6b	24	642622
	165	119	6b	24	642642
	200	154	6b	24	642662
M20	125	76	6b	24	642682
	160	111	6b	24	642702
	190	141	6b	24	642722
M24	255	206	6b	24	642742
	125	79	6b	24	642762
	190	144	6b	24	642782

22000

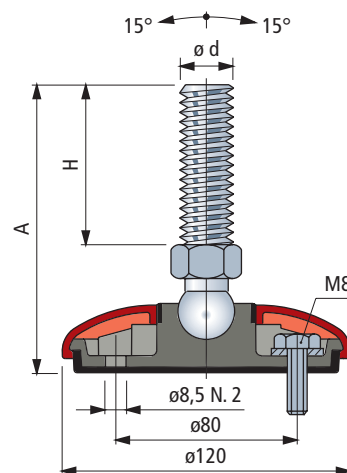
Microban® Foot base and protection cap, supplied with Microban® antibacterial protection. By penetrating the cell wall of bacteria Microban® inhibits the growth of most common food poisoning bacteria, such as E.coli, Salmonella, Listeria, S-aureus, Campylobacter, which can cause contamination and odour.

Item code for order = Part. + Code

- * = Feet are supplied without protection caps. Caps have to be ordered separately, indicating selected colour.
- Base material : reinforced polypropylene with integrated anti-slip in thermoplastic rubber grey (80 Shore).
- Materials are supplied with Microban® antibacterial protection.
- The sealing of the internal structure guarantees a better hygiene.
- Feet can be fixed to the floor.
- Packaging : 24 pieces.
- On request different length.
- Fmax. = maximum applicable load in static conditions.

Part. R0628

Microban® antibacterial protection



Protection cap

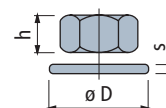


Colour	Code
Dark grey	R0628643062
White	R0628643072
Blue	R0628643082
Orange	R0628643092
Black	R0628643102

- Material : polypropylene PP, with Microban® antibacterial protection.
- Packaging : 24 pieces.
- Customized cap with customer logo.
- Other colours available upon request.

Accessories

Nut + Washer



	Code		h	ø D	s
	Stainless steel AISI 304	Zinc plated steel	mm	mm	mm
M14	R0000630202	R0000630132	11	22	28 2,5
M16	R0000630212	R0000630142	13	24	30 3
M20	R0000630222	R0000630152	16	30	37 3
M24	R0000630232	R0000630162	19	36	44 4

Packaging : 8 pieces.

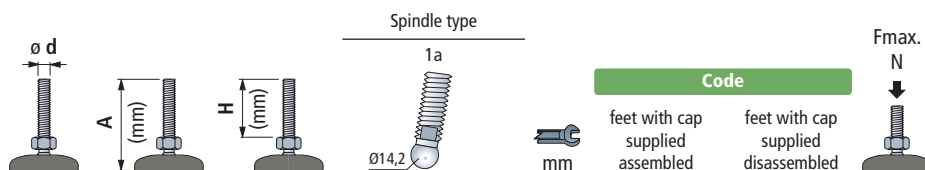
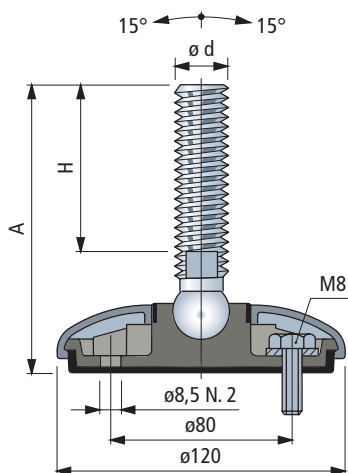


Articulated Feet Gripper in stainless steel

- ✔ **Best choice**
- ✔ **Standard**
- **On request**

Part. R0629

Microban® antibacterial protection



Spindle in stainless steel					Code		Fmax. N ↓
				feet with cap supplied assembled	feet with cap supplied disassembled		
M14	120	76	1a	11	643982	647642	22000
	110	64	1a	13	643992	647652	
	125	81	1a	13	644002	647682	
M16	155	100	1a	13	642312N	647702N	
	170	124	1a	13	644012	647712	
	195	151	1a	13	644022	647742	
	205	150	1a	13	642352N	647762N	
M20	130	84	1a	16	644032	647792	
	195	149	1a	16	644042	647822	
M24	125	74	1a	19	642412N	647842N	
	195	146	1a	19	644052	647852	
	225	172	1a	19	642432N	647872N	

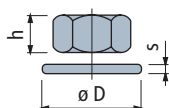
Microban® antibacterial protection Foot base and protection cap, supplied with Microban® antibacterial protection. By penetrating the cell wall of bacteria Microban® inhibits the growth of most common food poisoning bacteria, such as E.coli, Salmonella, Listeria, S-aureus, Campylobacter, which can cause contamination and odour.

Item code for order = Part. + Code

- * = Feet are supplied without protection caps. Caps have to be ordered separately, indicating selected colour.
- Base material : reinforced polypropylene with integrated anti-slip in thermoplastic rubber grey (80 Shore).
- Materials are supplied with Microban® antibacterial protection.
- The sealing of the internal structure guarantees a better hygiene.
- Feet can be fixed to the floor.
- Packaging : 24 pieces.
- On request different length.
- Fmax. = maximum applicable load in static conditions.

Accessories

Nut + Washer



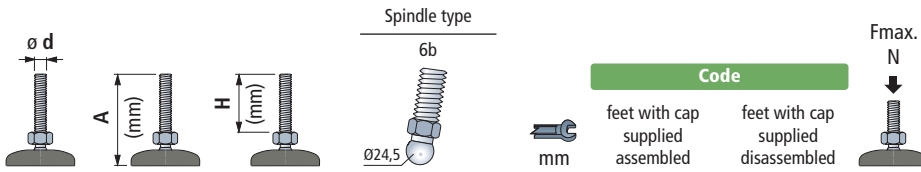
	Code	h mm	Washer øD mm	s mm
M14	R0000630202	11	22	2,5
M16	R0000630212	13	24	3
M20	R0000630222	16	30	3
M24	R0000630232	19	36	4

Packaging : 8 pieces.

- **Best choice**
- **Standard**
- ✓ **On request**

Part. R0629

Microban® antibacterial protection



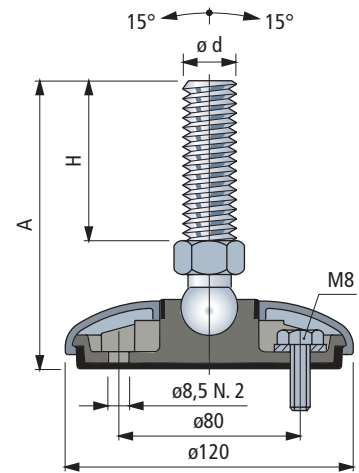
Spindle in stainless steel				Code		22000
			mm	feet with cap supplied assembled	feet with cap supplied disassembled	
M16	120	74	6b	24	642282	647662
	155	109	6b	24	642302	647692
	190	144	6b	24	642322	647722
	205	159	6b	24	642342	647752
M20	125	76	6b	24	642362	647772
	190	141	6b	24	642382	647802
M24	125	79	6b	24	642402	647832
	225	179	6b	24	642422	647862



Microban® Foot base and protection cap, supplied with Microban® antibacterial protection. By penetrating the cell wall of bacteria Microban® inhibits the growth of most common food poisoning bacteria, such as E.coli, Salmonella, Listeria, S-aureus, Campylobacter, which can cause contamination and odour.

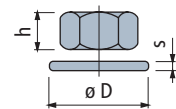
Item code for order = Part. + Code

- * = Feet are supplied without protection caps. Caps have to be ordered separately, indicating selected colour.
- Base material : reinforced polypropylene with integrated anti-slip in thermoplastic rubber grey (80 Shore).
- Materials are supplied with Microban® antibacterial protection.
- The sealing of the internal structure guarantees a better hygiene.
- Feet can be fixed to the floor.
- Packaging : 24 pieces.
- On request different length.
- Fmax. = maximum applicable load in static conditions.



Accessories

Nut + Washer



Code		h		ϕD	s
	Stainless steel AISI 304	mm	mm	mm	mm
M14	R0000630202	11	22	28	2,5
M16	R0000630212	13	24	30	3
M20	R0000630222	16	30	37	3
M24	R0000630232	19	36	44	4

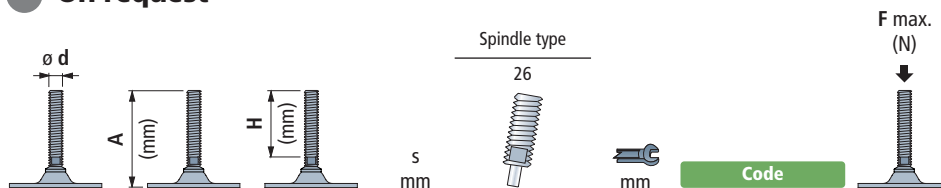
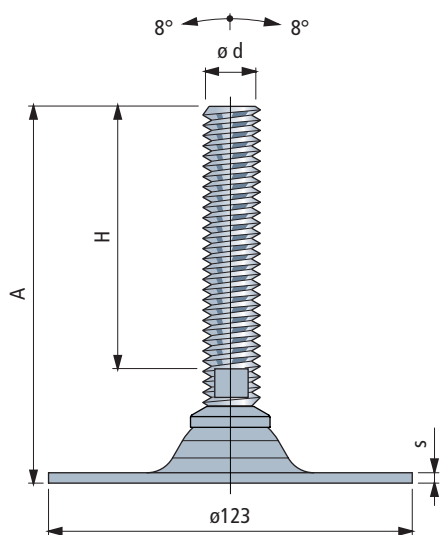
Packaging : 8 pieces.

Articulated feet

in stainless steel and zinc plated steel

- ✔ Best choice
- ✔ Standard
- On request

Part. **R0351**



Feet in stainless steel							Code	F max. (N)
M	A (mm)	H (mm)	s (mm)	Spindle type	Washer thickness (mm)			
M16	180	140	3	26	13	678721N	6000	
M20	180	139	3	26	17	61106N		
M24	220	177	3	26	19	63797N		
M30	165	117	3	26	24	66014N		
	225	177	3	26	24	678741N		

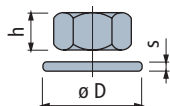
Feet in zinc plated steel							Code	F max. (N)
M	A (mm)	H (mm)	s (mm)	Spindle type	Washer thickness (mm)			
M20	150	109	4	26	17	678661N	10000	
	180	139	4	26	17	63767N		
	240	199	4	26	17	678671N		
M24	120	77	4	26	19	678681N		
	150	107	4	26	19	678691N		
	210	167	4	26	19	63777N		
	270	227	4	26	19	688101N		
M30	165	117	4	26	24	63787N		
	225	177	4	26	24	678711N		
	300	247	4	26	24	688111N		

Item code for order = Part. + Code

- Packaging : 8 pieces.
- On request different length.
- Fmax. = maximum applicable load in static conditions.

Accessories

Nut + Washer



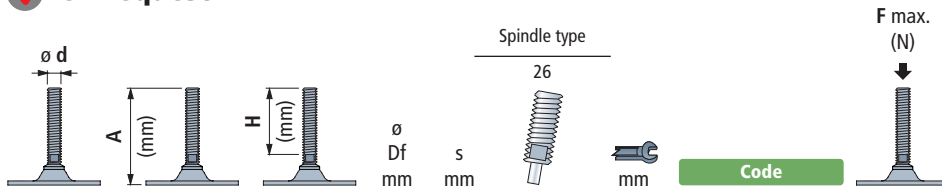
Code		h (mm)	ø D (mm)	s (mm)
Stainless steel AISI 304	Zinc plated steel			
M16 R0000630212	R0000630142	13	24	30
M20 R0000630222	R0000630152	16	30	37
M24 R0000630232	R0000630162	19	36	44
M30 R0000630242	R0000630172	24	46	56

Packaging : 8 pieces.

- Best choice
- Standard
- ✓ On request

Part. R0441

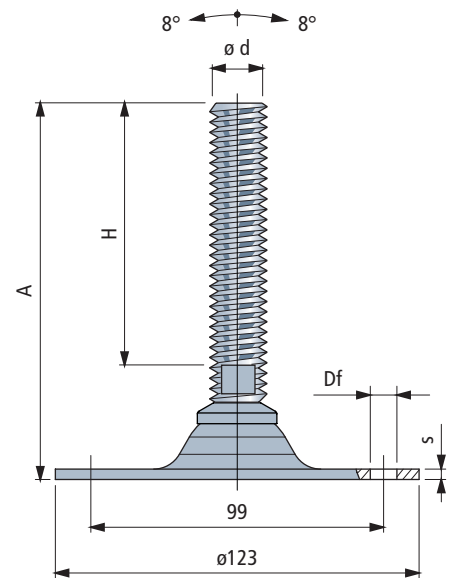
With 2 fixing holes



Feet in zinc plated steel								
M24	150	107	15,5	4	26	19	600531N	10000

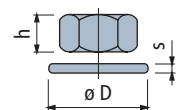
Item code for order = Part. + Code

- Packaging : 8 pieces.
- On request different length.
- Fmax. = maximum applicable load in static conditions.



■ Accessories

Nut + Washer



Code		h	ø D	s
Zinc plated steel		mm	mm	mm
M24	R0000630162	19	36	44

Packaging : 8 pieces.

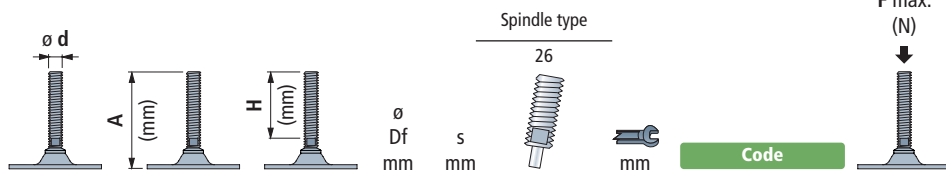
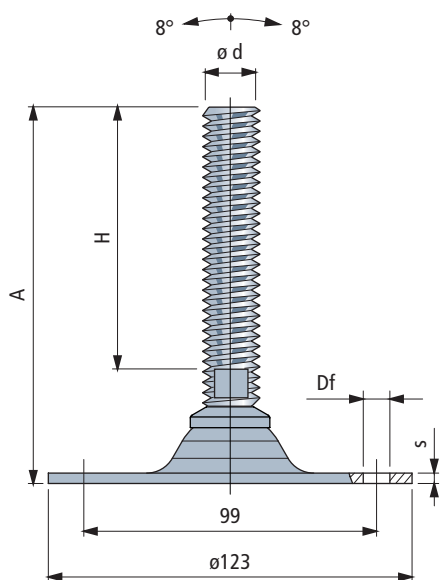
Articulated feet

in stainless steel and zinc plated steel

- Best choice
- Standard
- On request

Part. R0349

With 4 fixing holes



Feet in stainless steel								6000
Code	ø	Df	s	Spindle type	mm	mm	mm	
M16	180	140	9	3	26	13	682721N	
M20	180	139	9	3	26	17	68165N	
M24	220	177	9	3	26	19	63747N	
M30	165	117	9	3	26	24	63757N	
	225	177	9	3	26	24	682741N	

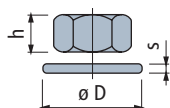
Feet in zinc plated steel								10000
Code	ø	Df	s	Spindle type	mm	mm	mm	
M20	150	109	9	4	26	17	682681N	
	180	139	9	4	26	17	65634N	
	240	199	9	4	26	17	64045N	
M24	120	77	9	4	26	19	682691N	
	150	107	9	4	26	19	604432N	
	210	167	9	4	26	19	65054N	
	270	227	9	4	26	19	688131N	
M30	165	117	9	4	26	24	65644N	
	225	177	9	4	26	24	682711N	
	300	247	9	4	26	24	688141N	

Item code for order = Part. + Code

- Packaging : 8 pieces.
- On request different length.
- Fmax. = maximum applicable load in static conditions.

Accessories

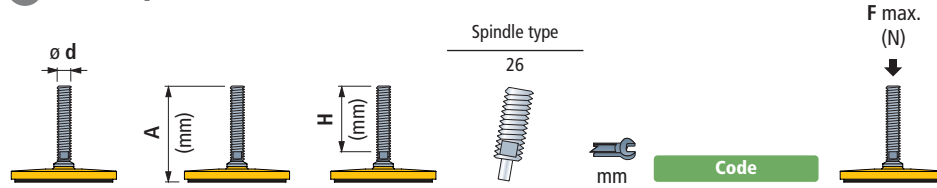
Nut + Washer



Code		h	ø D	s
Stainless steel AISI 304	Zinc plated steel	mm	mm	mm
M16 R0000630212	R0000630142	13	24	30
M20 R0000630222	R0000630152	16	30	37
M24 R0000630232	R0000630162	19	36	44
M30 R0000630242	R0000630172	24	46	56

Packaging : 8 pieces.

- ✔ **Best choice**
- ✔ **Standard**
- **On request**



Spindle in stainless steel					
M16	180	140	26	13	678831N
M20	180	139	26	17	678841N
M24	220	177	26	19	678851N
M30	165	117	26	24	678861N
	225	177	26	24	678881N

50000

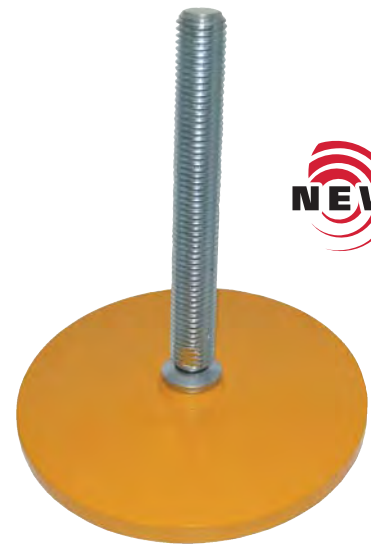
Spindle in zinc plated steel					
M20	150	109	26	17	678761N
	180	139	26	17	678771N
	240	199	26	17	678781N
M24	120	77	26	19	678791N
	150	107	26	19	61396N
	210	167	26	19	678801N
	270	227	26	19	688221N
M30	165	117	26	24	678811N
	225	177	26	24	678821N
	295	247	26	24	688231N

50000

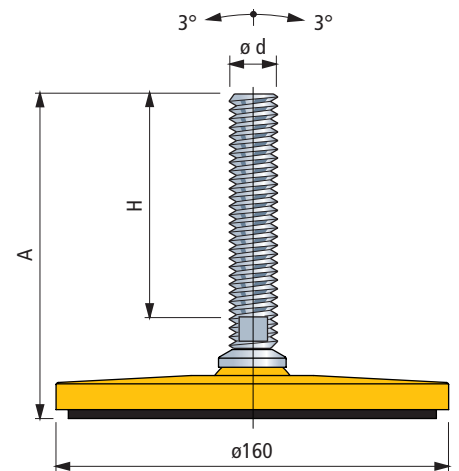
Item code for order = Part. + Code

- Material : footplate in painted steel yellow. Anti-slip in NBR rubber black (70 Shore).
- Packaging : 4 pieces.
- On request different length.
- Fmax. = maximum applicable load in static conditions.

Part. R0408

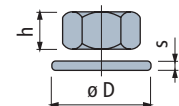


NEW



Accessories

Nut + Washer



Code		h	ø D	s
Stainless steel AISI 304	Zinc plated steel	mm	mm	mm
M16 R0000630212	R0000630142	13	24	30
M20 R0000630222	R0000630152	16	30	37
M24 R0000630232	R0000630162	19	36	44
M30 R0000630242	R0000630172	24	46	56

Packaging : 8 pieces.

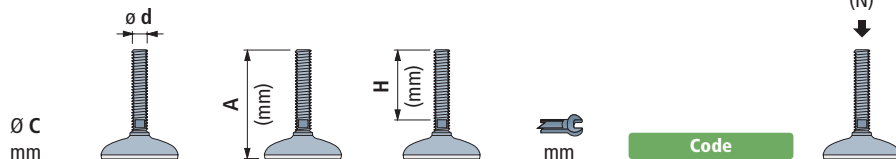
Articulated feet in stainless steel

- ✔ Best choice
- ✔ Standard
- On request

Part. **R0747**
Part. **R0748**
Part. **R0749**



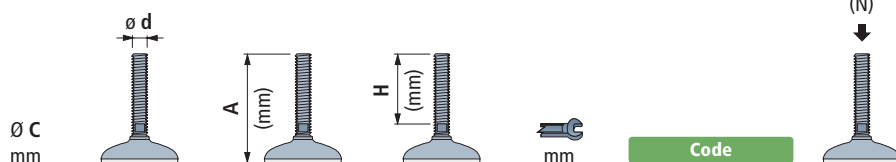
Part. R0747



Feet in stainless steel

	M16	100	55	13	602003
		182	136	13	602013
	M20	187	139	16	602023
	M24	217	167	19	602033
	M30	165	115	27	620793
		215	165	27	620803
					25000

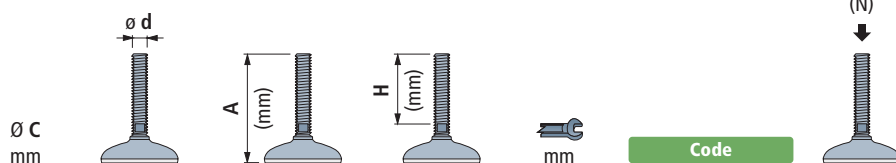
Part. R0748



Feet in stainless steel

	M16	103	55	13	602043
		185	136	13	602053
	M20	190	139	16	602063
	M24	220	167	19	602073
	M30	168	115	27	620813
		218	165	27	620823
					25000

Part. R0749

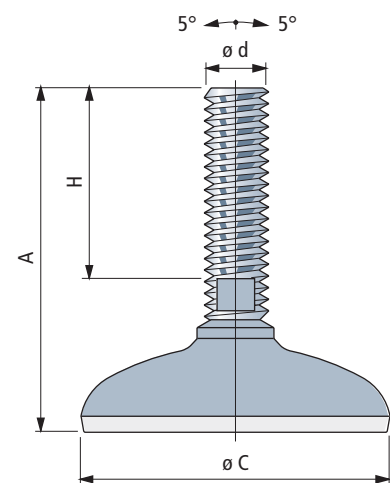


Feet in stainless steel

	M16	190	55	13	602093
	M20	195	139	16	602103
	M24	225	167	19	602113
	M30	173	115	27	620833
			223	165	27
					25000

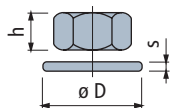
Item code for order = Part. + Code

- Material :
Spindle in austenitic stainless steel.
Footplate in austenitic stainless steel.
Anti-slip in vulcanized NBR rubber (grey), 75 Shore.
- Packaging : 8 pieces.
- On request different length.
- Fmax. = maximum applicable load in static conditions.



Accessories

Nut + Washer

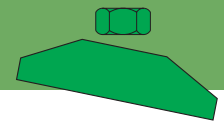


Code

	Stainless steel AISI 304	h mm	mm	ØD mm	s mm
M16	R0000630212	13	24	30	3
M20	R0000630222	16	30	37	3
M24	R0000630232	19	36	44	4
M30	R0000630242	24	46	56	4

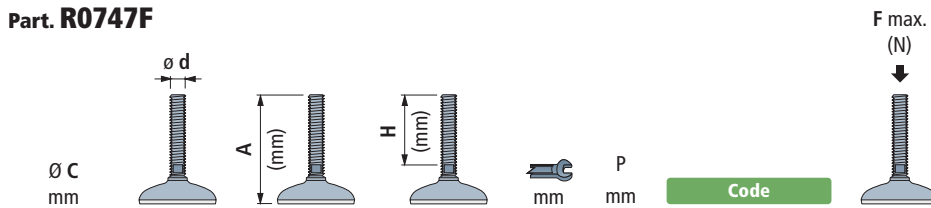
Packaging : 8 pieces.

Articulated feet in stainless steel



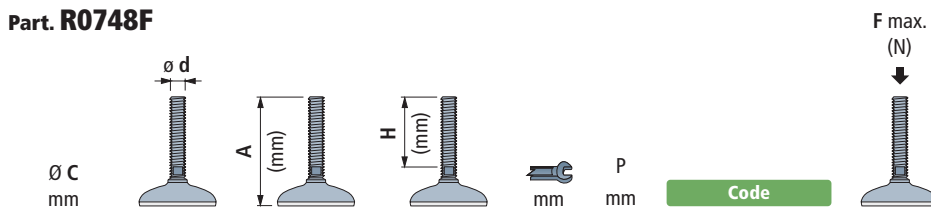
- Best choice
- Standard
- On request

Part. R0747F



Feet in stainless steel						
Ø C (mm)	A (mm)	H (mm)	P (mm)	Code		
	M16	100	55	13	55	616053
		182	136	13	55	616063
	M20	187	139	16	55	616073
	M24	217	167	19	55	616083
	M30	165	115	27	55	620853
	215	165	27	55	620863	25000

Part. R0748F

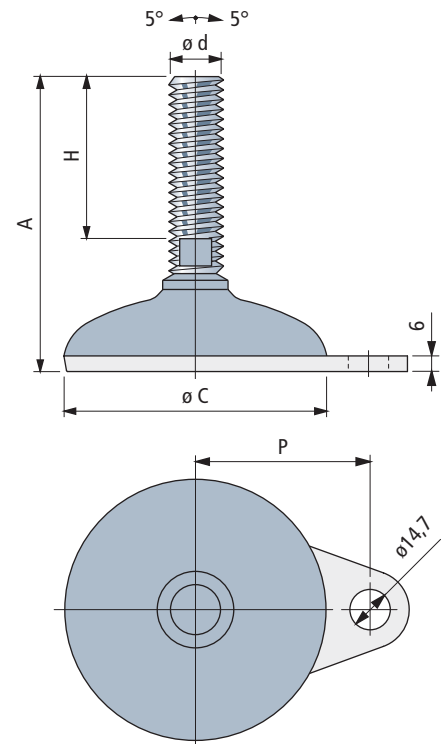


Feet in stainless steel						
Ø C (mm)	A (mm)	H (mm)	P (mm)	Code		
	M16	103	55	13	67	616093
		185	136	13	67	616103
	M20	190	139	16	67	616113
	M24	220	167	19	67	616123
	M30	168	115	27	67	620873
	218	165	27	67	620883	25000

Item code for order = Part. + Code

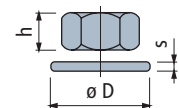
- Material :
Spindle in austenitic stainless steel.
Footplate in austenitic stainless steel.
Anti-slip in vulcanized NBR rubber (grey), 75 Shore.
- Packaging : 8 pieces.
- On request different length.
- Fmax. = maximum applicable load in static conditions.

Part. **R0747F**
Part. **R0748F**



Accessories




Nut + Washer



Code		h (mm)	Ø D (mm)	s (mm)
Stainless steel AISI 304				
M16	R0000630212	13	24	30
M20	R0000630222	16	30	37
M24	R0000630232	19	36	44
M30	R0000630242	24	46	56

Packaging : 8 pieces.

Articulated feet in stainless steel

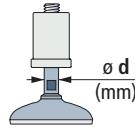
-  **Best choice**
-  **Standard**
-  **On request**

Part. **R0750**
Part. **R0751**
Part. **R0752**



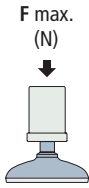
Part. R0750

Ø C
mm




mm

Code

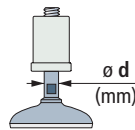


Feet in stainless steel

	16	13	602123	12000
	20	16	602133	

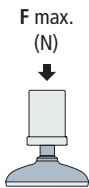
Part. R0751

Ø C
mm




mm

Code

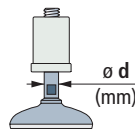


Feet in stainless steel

	16	13	602143	12000
	20	16	602153	

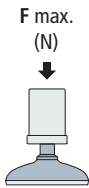
Part. R0752

Ø C
mm




mm

Code



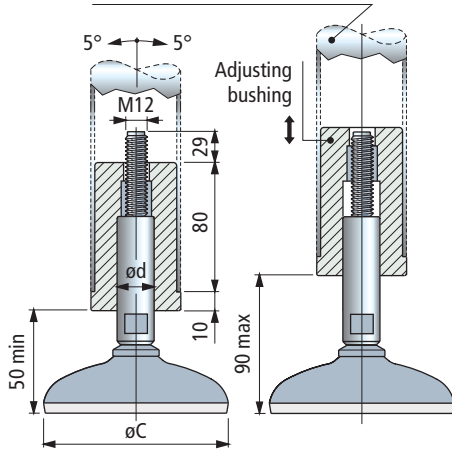
Feet in stainless steel

	16	13	602163	12000
	20	16	602173	

Item code for order = Part. + Code

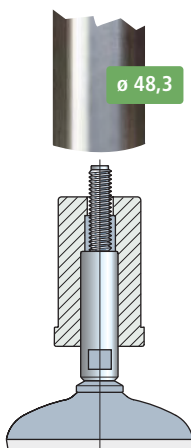
- Material :
Spindle in austenitic stainless steel.
Footplate in austenitic stainless steel.
Anti-slip in vulcanized NBR rubber (grey), 75 Shore.
Adjusting bushing in reinforced polyamide PAFV (white) with Microban®.
Threaded bushing in nickel plated brass.
- Packaging : 8 pieces.
- On request different length.
- Fmax. = maximum applicable load in static conditions.

Frame supporting tubes
Ø 48,3 (1"1/2) thickness 1,5

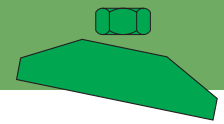


Assembly

Can be used with
frame supporting tubes
dia. 48,3 mm (1"1/2),
thickness 1,5 mm.

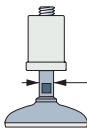

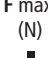



Articulated feet in stainless steel

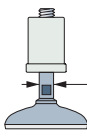

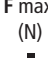



- ✔ **Best choice**
- ✔ **Standard**
- **On request**

Part. R0750F

$\varnothing C$ mm	 $\varnothing d$ (mm)	 mm	P mm	Code	$F_{max.}$ (N) 
Feet in stainless steel					
 $\varnothing 80$	16	13	55	616133	12000
	20	16	55	616143	

Part. R0751F

$\varnothing C$ mm	 $\varnothing d$ (mm)	 mm	P mm	Code	$F_{max.}$ (N) 
Feet in stainless steel					
 $\varnothing 100$	16	13	67	616153	12000
	20	16	67	616163	

Item code for order = Part. + Code

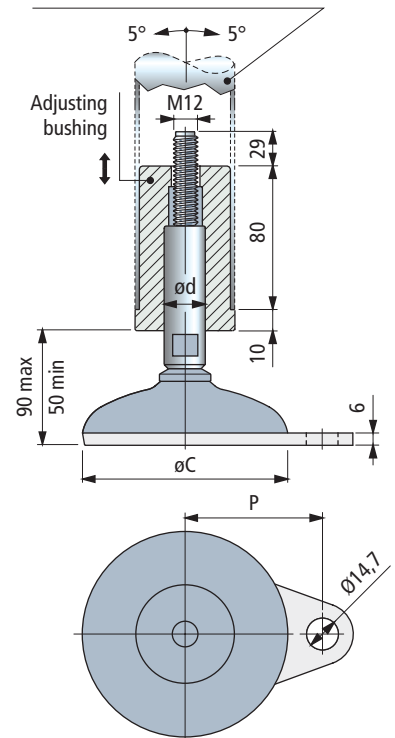
- Material :
Spindle in austenitic stainless steel.
Footplate in austenitic stainless steel.
Anti-slip in vulcanized NBR rubber (grey), 75 Shore.
Adjusting bushing in reinforced polyamide PAFV (white) with Microban®.
Threaded bushing in nickel plated brass.
- Packaging : 8 pieces.
- On request different length.
- $F_{max.}$ = maximum applicable load in static conditions.

Part. **R0750F**
Part. **R0751F**

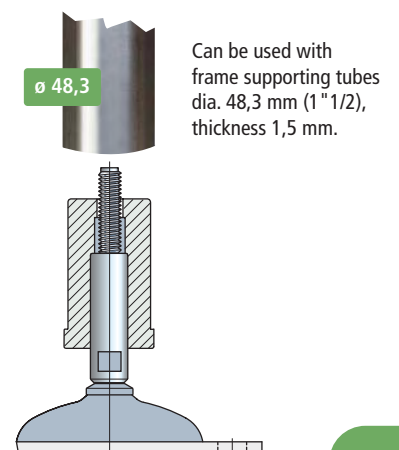


NEW




Frame supporting tubes
 $\varnothing 48,3$ (1" 1/2) thickness 1,5



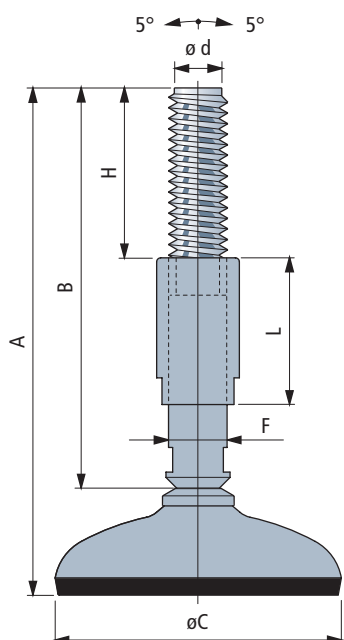
Assembly



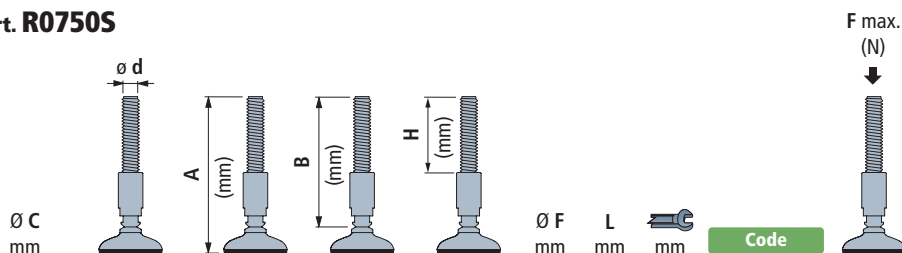
Articulated feet in stainless steel

-  **Best choice**
-  **Standard**
-  **On request**

Part. **R0750S**
Part. **R0751S**
Part. **R0752S**



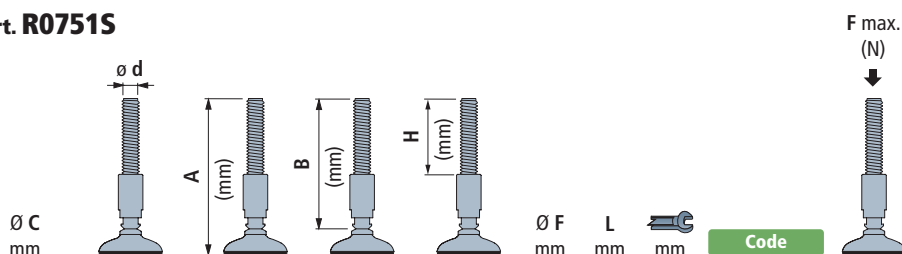
Part. R0750S



Feet in stainless steel

Code	M	A (mm)	B (mm)	H (mm)	ø F (mm)	L (mm)	Wrench (mm)	Code	F max. (N)
613603	M16	200	165	100	23	55	13	613603	25000
		250	215	120	23	85	13		
613623	M20	200	165	100	27	55	16	613623	25000
		250	215	120	27	85	16		
613643	M24	200	165	100	31	55	19	613643	25000
		250	215	120	31	85	19		

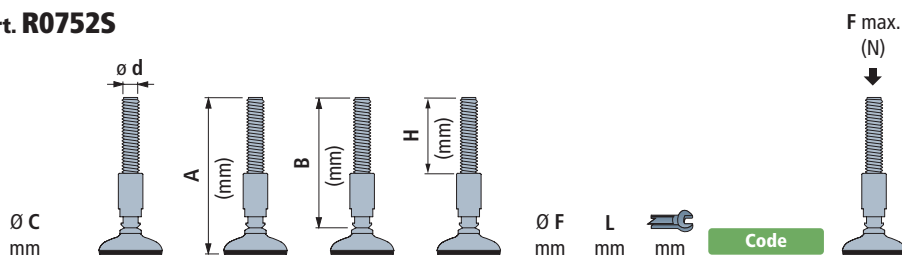
Part. R0751S



Feet in stainless steel

Code	M	A (mm)	B (mm)	H (mm)	ø F (mm)	L (mm)	Wrench (mm)	Code	F max. (N)
613663	M16	200	165	100	23	55	13	613663	50000
		250	215	120	23	85	13		
613683	M20	200	165	100	27	55	16	613683	50000
		250	215	120	27	85	16		
613703	M24	200	165	100	31	55	19	613703	50000
		250	215	120	31	85	19		

Part. R0752S



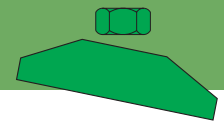
Feet in stainless steel

Code	M	A (mm)	B (mm)	H (mm)	ø F (mm)	L (mm)	Wrench (mm)	Code	F max. (N)
613723	M16	200	165	100	23	55	13	613723	50000
		250	215	120	23	85	13		
613743	M20	200	165	100	27	55	16	613743	50000
		250	215	120	27	85	16		
613763	M24	200	165	100	31	55	19	613763	50000
		250	215	120	31	85	19		

Item code for order = Part. + Code

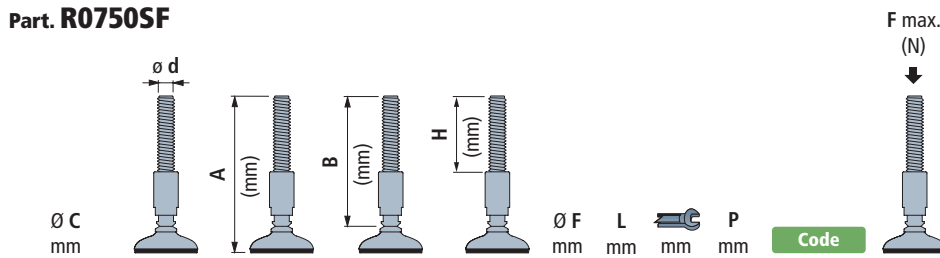
- Material :
Spindle and threaded bushing in austenitic stainless steel.
Footplate in austenitic stainless steel.
Anti-slip in vulcanized NBR rubber (black), 95 Shore.
- Packaging : 8 pieces.
- Fmax. = maximum applicable load in static conditions.

Articulated feet in stainless steel



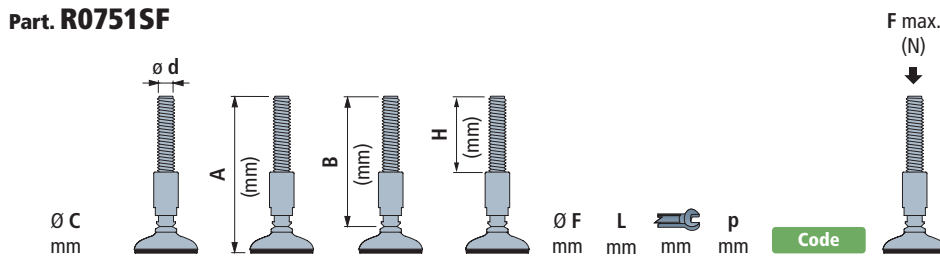
- ✔ **Best choice**
- ✔ **Standard**
- **On request**

Part. R0750SF



Feet in stainless steel										
Ø C mm	M16	200	165	100	23	55	13	55	Code	F max. (N)
M20	200	165	100	27	55	16	55	616193		
	250	215	120	27	85	16	55	616203		
M24	200	165	100	31	55	19	55	616213		
	250	215	120	31	85	19	55	616223		

Part. R0751SF

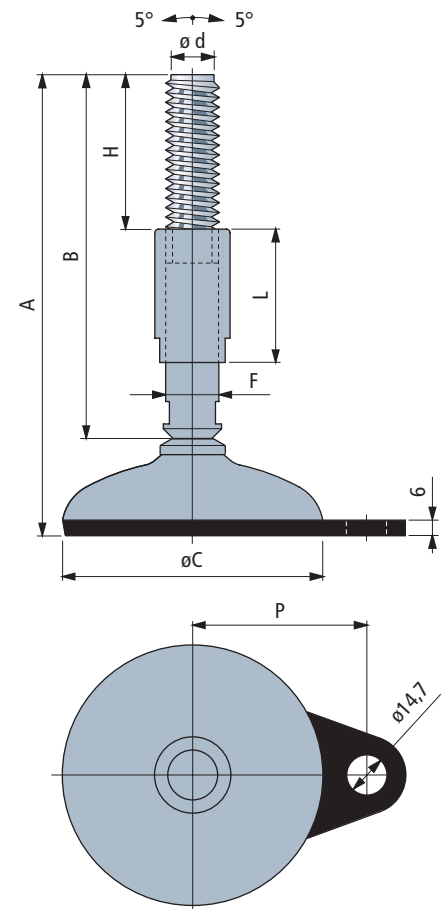
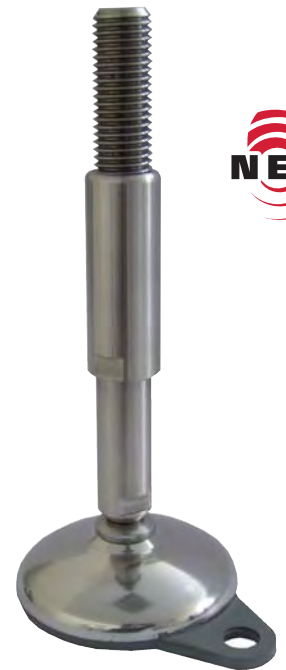


Feet in stainless steel										
Ø C mm	M16	200	165	100	23	55	13	67	Code	F max. (N)
M20	200	165	100	27	55	16	67	616253		
	250	215	120	27	85	16	67	616263		
M24	200	165	100	31	55	19	67	616273		
	250	215	120	31	85	19	67	616283		

Item code for order = Part. + Code




- Material :
Spindle and threaded bushing in austenitic stainless steel.
Footplate in austenitic stainless steel.
Anti-slip in vulcanized NBR rubber (black), 95 Shore.
- Packaging : 8 pieces.
- Fmax. = maximum applicable load in static conditions.

Part. R0750SF Part. R0751SF



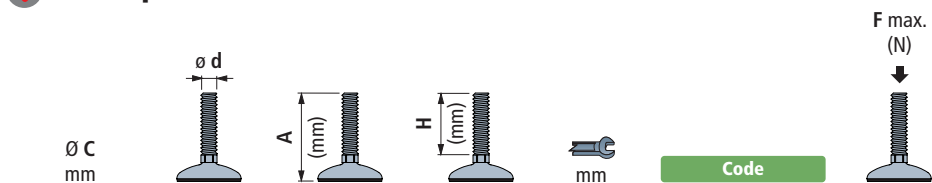
Articulated feet
in stainless steel


ø120

-  **Best choice**
-  **Standard**
-  **On request**

Part. R0749

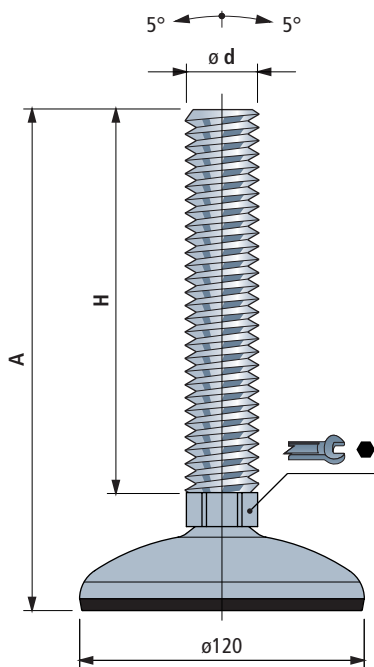
NEW



Feet in stainless steel						
	M30	250	200	27	616433	50000
	M36	265	216	32	628033	

Item code for order = Part. + Code

- Material :
Spindle in austenitic stainless steel.
Footplate in austenitic stainless steel.
Anti-slip in vulcanized NBR rubber (black), 95 Shore.
- Packaging : 8 pieces.
- On request different length.
- Fmax. = maximum applicable load in static conditions.



**F max.
(Newton)**



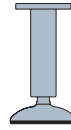
**HIGH WORKING LOAD
IDEAL FOR MACHINES**

Articulated feet
in stainless steel



- **Best choice**
- **Standard**
- ✓ **On request**

F max.
(N)



Part. R0773



PATENT

∅ C
mm

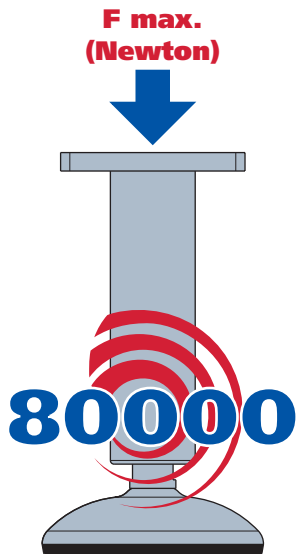
Code

Feet in stainless steel

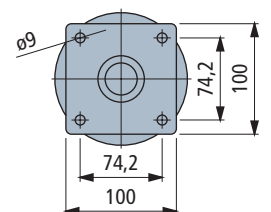
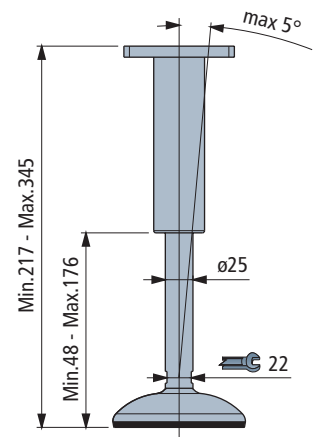
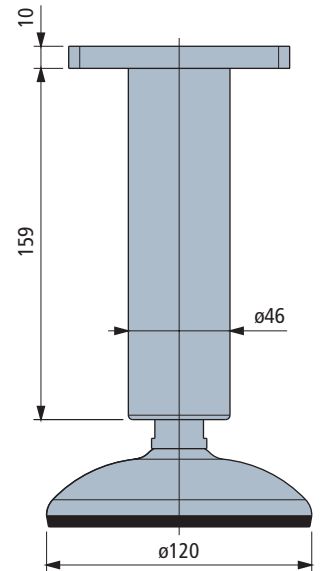
∅ C mm	Code	F max. (N)
	611233	80000

Item code for order = Part. + Code

- Material :
Spindle and threaded bushing in austenitic stainless steel.
Footplate in austenitic stainless steel.
Anti-slip in vulcanized NBR rubber (black), 95 Shore.
- Packaging : 8 pieces.
- Fixing flange with special dimensions available upon request.
- Fmax. = maximum applicable load in static conditions.



**HIGH WORKING LOAD
IDEAL FOR MACHINES**

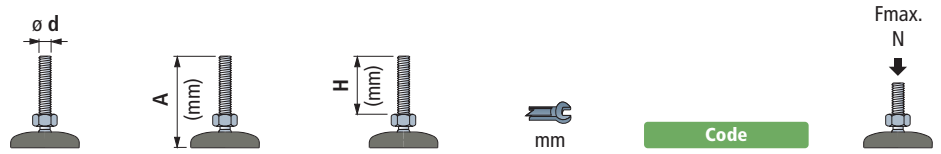




Fixed feet
in reinforced polyamide

Part. **R0600**

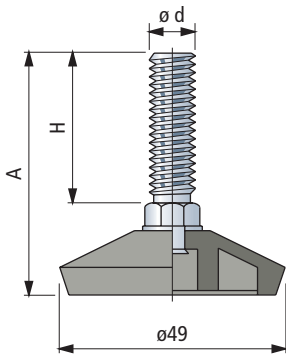
- ✔ **Best choice**
- **Standard**
- **On request**



Spindle in zinc plated steel					
M10	50	30	10	68582	2000

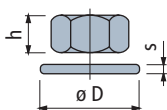
Item code for order = Part. + Code

- Footplate material : reinforced polyamide PA FV (black).
- Packaging : 48 pieces.
- Fmax. = maximum applicable load in static conditions.



■ **Accessories**

Nut + Washer

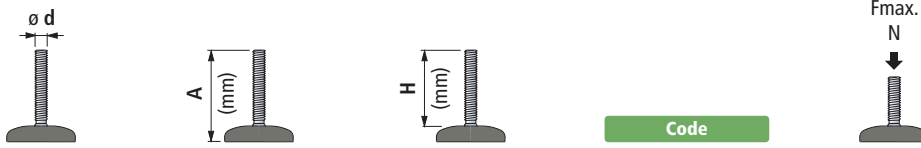


Code		h	øD	s
	Zinc plated steel	mm	mm	mm
M10	R0000630112	8	17	21

Packaging : 24 pieces.

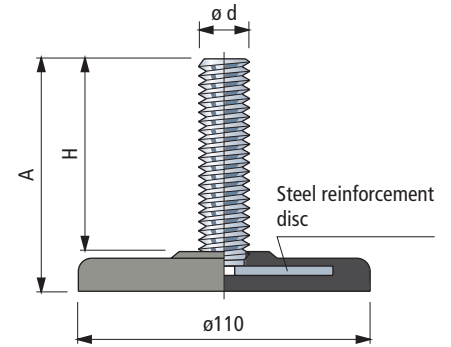
- ✔ **Best choice**
- **Standard**
- **On request**

Part. R0031



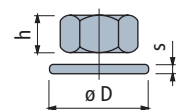
Spindle in zinc plated steel				
			Code	
M16	101	86	51500	6000

Item code for order = Part. + Code
 - Footplate material : PVC rubber black (50 Shore).
 - Packaging : 20 pieces.
 - Fmax. = maximum applicable load in static conditions.



■ **Accessories**

Nut + Washer



	Code	h	øD	s
	Zinc plated steel	mm	mm	mm
M16	R0000630142	13	24	30

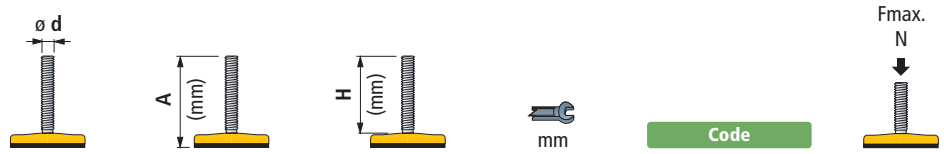
Packaging : 8 pieces.



Fixed feet
in painted steel

Part. R0403

- Best choice
- ✔ Standard
- On request

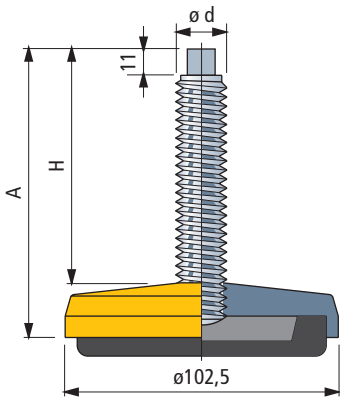


Spindle in zinc plated steel

M16	154	128	10	66604	50000
-----	-----	-----	----	-------	-------

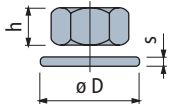
Item code for order = Part. + Code

- Material : footplate in painted steel yellow. Anti-slip in NBR rubber black (70 Shore).
- Packaging : 8 pieces.
- On request different length.
- Fmax. = maximum applicable load in static conditions.



■ Accessories

Nut + Washer



Code		h	ø D	s
Zinc plated steel		mm	mm	mm
M16	R0000630142	13	24	30

Packaging : 8 pieces.

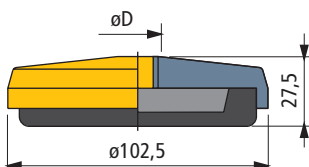
Part. R0528



M16	644351	50000
-----	--------	-------

Item code for order = Part. + Code

- Material : footplate in painted steel yellow. Anti-slip in NBR rubber black (70 Shore).
- Packaging : 8 pieces.
- Fmax. = maximum applicable load in static conditions.



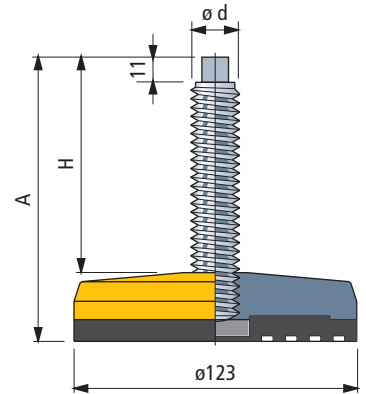
- Best choice
- ✔ Standard
- On request

Part. R0406

Spindle in zinc plated steel					
M16	157	127	10	66614	50000

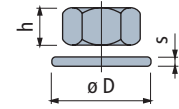
Item code for order = Part. + Code

- Material : footplate in painted steel yellow. Anti-slip in NBR rubber black (80 Shore).
- Packaging : 8 pieces.
- On request different length.
- Fmax. = maximum applicable load in static conditions.



■ Accessories

Nut + Washer



Code		Zinc plated steel	h mm	s mm	øD mm
M16	R0000630142		13	24	30

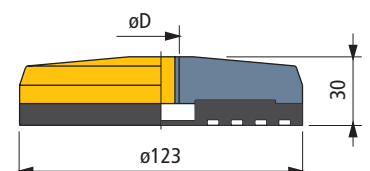
Packaging : 8 pieces.

Part. R0529

M16	644361	50000
-----	--------	-------

Item code for order = Part. + Code

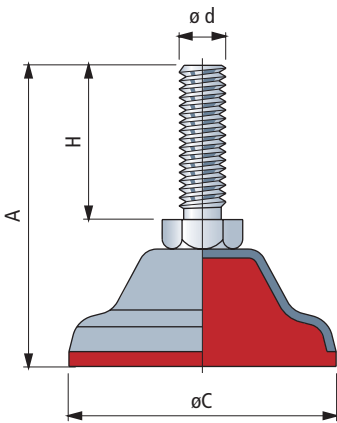
- Material : footplate in painted steel yellow. Anti-slip in NBR rubber black (80 Shore).
- Packaging : 8 pieces.
- Fmax. = maximum applicable load in static conditions.



Fixed feet
in stainless steel

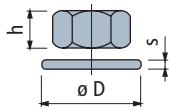
- Best choice
- ✔ Standard
- On request

- Part. **R0383**
Part. **R0384**
Part. **R0399**
Part. **R0385**



■ Accessories

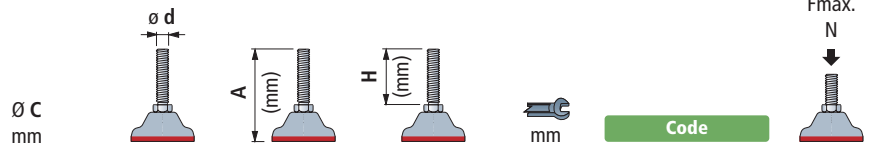
Nut + Washer



	Code	Stainless steel AISI 304	h mm	mm	øD mm	s mm
M8	R0000654922		6,5	13	17	1,6
M12	R0000630192		10	19	24	2,5
M16	R0000630212		13	24	30	3
M20	R0000630222		16	30	37	3

Packaging : 8 pieces.

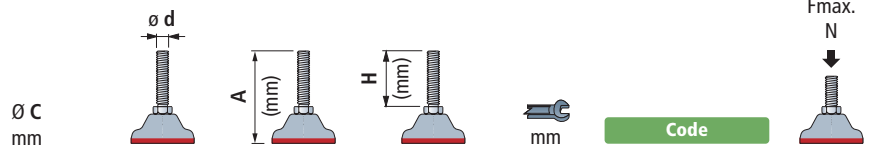
Part. **R0383**



Feet in stainless steel

	M8	57	30	13	Code	65426	7000
--	----	----	----	----	------	-------	------

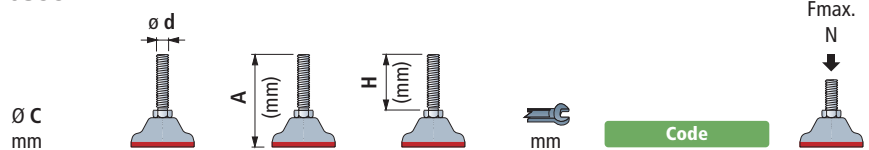
Part. **R0384**



Feet in stainless steel

	M12	90	50	19	Code	65436	12000
--	-----	----	----	----	------	-------	-------

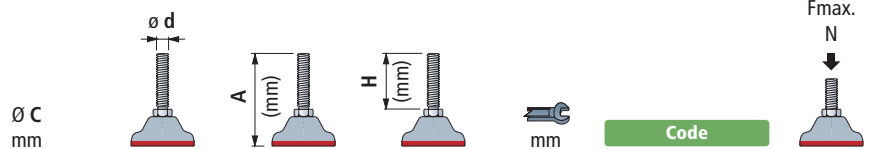
Part. **R0399**



Feet in stainless steel

	M16	100	60	24	Code	61627	11000
--	-----	-----	----	----	------	-------	-------

Part. **R0385**



Feet in stainless steel

	M20	130	70	30	Code	65446	10000
--	-----	-----	----	----	------	-------	-------

Item code for order = Part. + Code

- Material : footplate and spindle in stainless steel AISI 304. Anti-slip in Adiprene (red).
- Packaging : 16 pieces (for Part. 383). 8 pieces (for Part. 384-399). 4 pieces (for Part. 385).
- Fmax. = maximum applicable load in static conditions.

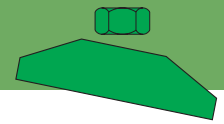
Characteristics

The Adiprene anti-slip element has acid resistant characteristics and resists loads occurring in heavy duty applications. Feet to be used in humid applications, where they will be subjected to frequent cleaning with detergents, in presence of chemical products and acids and where optimum cleanliness and hygiene is required.

Application

The food-, dairy and meat industry.
Chemical and pharmaceutical industries.

Vibration absorbing feet in zinc plated steel



- **Best choice**
- **Standard**
- **On request**

Part. R0701
Part. R0702
Part. R0703

Code	Feet in zinc plated steel	Feet in zinc plated steel with yellow painted base	Weight Kg	Code			
				mm	mm	mm	
R0701							
80	M 12x1,25	130	39 (min) 51 (max)	8	63033	63623	0,58
R0702							
120	M 16x1,5	130	47 (min) 60 (max)	9	63043	63633	1,40
R0703							
160	M 20x1,5	183	54 (min) 69 (max)	12	63053	63643	2,80

- Packaging : 8 pieces (for Part. 701 - 702), 4 pieces (for Part. 703).
- Characteristics : specially designed to absorb vibrations and shocks in both horizontal and vertical directions. Accurate height adjustment. High adhesion to the floor.
- Application : cutting-and bending machines for sheet metal. Injection molding machines for plastics. Lathes, cutting-and grinding machines. Machines for the textile and printing industry.



Table 1	Load applied per foot (Kgf)						
	min.	max.	min.	max.	min.	max.	
Min. rotation (rpm) or min. strokes/min	100	85	360	230	940	275	1420
	120	85	210	230	600	275	900
	140	85	180	230	560	275	820
	160	85	120	230	350	275	560
	180	85	95	230	290	275	440
	200			230	260	275	320
	220					275	305
	Zone of resonance (do not use vibration absorbing elements)						
	1200	475	525	1140	1260	1710	1890
	1400	400	525	1040	1260	1650	1890
1600	320	525	810	1260	1340	1890	
1800	240	525	640	1260	1080	1890	
2000	180	525	490	1260	800	1890	
2200	140	525	440	1260	700	1890	
2400	120	525	380	1260	640	1890	
2600	100	525	300	1260	560	1890	
2800			240	1260	420	1890	
3000			200	1260	400	1890	
3500					300	1890	

When to use vibration absorbing feet
In case in a machine frequent "vibrations or shocks" occur, it will be necessary to use vibration absorbing feet instead of our standard feet. Because of the natural characteristics of the rubber elements, the selection of the proper type is very important. In a certain range of vibrations or shocks a resonance will occur, in another range of vibrations the feet will not absorb any vibrations at all. It is therefore important to follow exactly our selection procedure.

Selection procedure
1) Calculation of the load on each foot
In the following formula we have considered that the weight of the machine is divided equally over the feet :
$$\frac{\text{Weight of the machine (Kg)}}{\text{Number of feet}} = \text{Kgf}$$

2) Selection of the type of vibration absorbing foot - Table 1
The selection of the type of a vibration absorbing foot depends on the load on each foot and the lowest number of revolutions (or number of shocks) of the machine.

Examples of selection

1) Support for a lathe
Given data : - Weight of the lathe : 2200 Kg.
- Minimum speed : 140 rpm.
- Quantity of feet : 4.

Selection : the load on each foot is
$$\frac{2200}{4} = 550 \text{ Kgf}$$

According to table 1 Part. 702 should be taken.

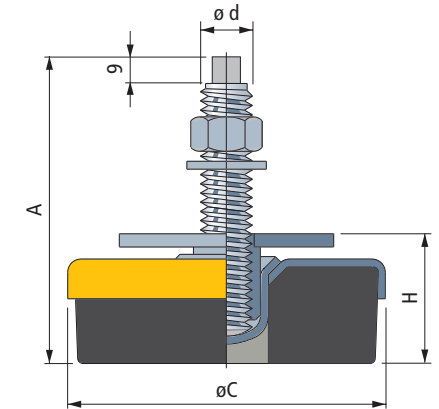
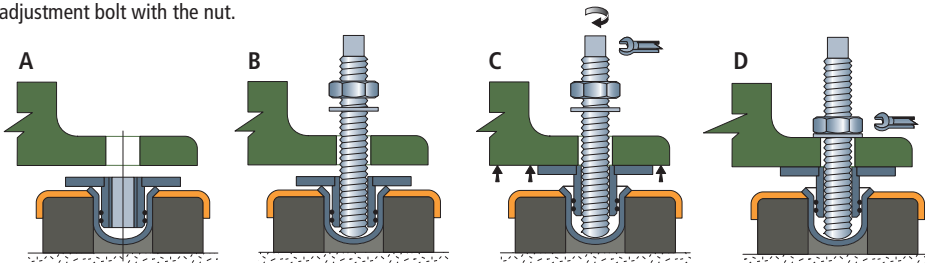
1) Supports for a metal press
Given data : - Weight of the press : 3900 Kg.
- Min. number of shocks : 120 strokes/min.
- Quantity of feet : 6.

Selection : the load on each foot is
$$\frac{3900}{6} = 650 \text{ Kgf}$$

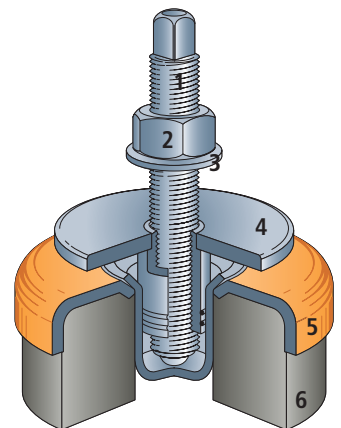
According to table 1 Part. 703 should be taken.

Mounting instructions

A) Lift the machine. Position the footplate. B) Mount the adjustment bolt with the nut and washer. C) By turning the adjustment bolt further, the support plate will lift until the desired height has been reached. D) Lock the adjustment bolt with the nut.



Components of the feet



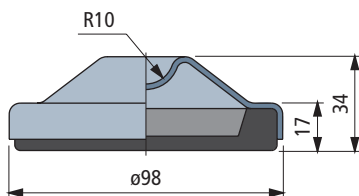
- 1 - Adjustment bolt. Fine thread
- 2 - Locking nut. UNI 5588 - 65.
- 3 - Washer UNI 6592 - 69. DIN 125 A.
- 4 - Support plate. Adjustable in height.
- 5 - Reinforcement plate.
- 6 - Anti-slip in NBR rubber black (80 Shore).

Anti-slip supports in steel



- Best choice
- ✔ Standard
- On request

Part. R0230



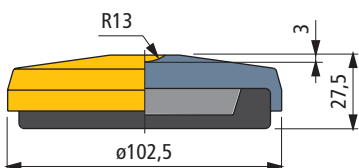
Fmax.
N
↓

Material	Code	
Stainless steel AISI 304	62611	10000
Nickel plated steel	62621	8000

Item code for order = Part. + Code

- Material : Anti-slip in NBR rubber black (70 Shore).
- Packaging : 8 pieces.
- Fmax. = maximum applicable load in static conditions.

Part. R0404



Fmax.
N
↓

Material	Code	
Painted steel (yellow)	66624	50000

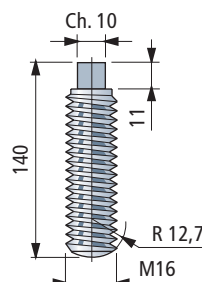
Item code for order = Part. + Code

- Material : footplate in painted steel yellow. Anti-slip in NBR rubber black (70 Shore).
- Packaging : 8 pieces.
- Fmax. = maximum applicable load in static conditions.

Accessories

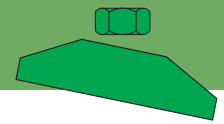
	Code	
Zinc plated steel		mm
M16	R040766594	10

Spindle.
Packaging : 32 pieces.



Anti-slip supports

in rubber with steel insert



- Best choice
- ✓ Standard
- On request

Part. R0055

Material	Code	Fmax. N
 PVC rubber black (with steel insert)	51510	6000



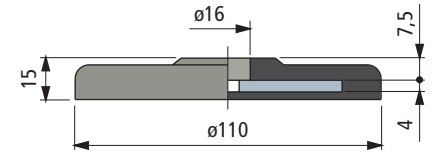
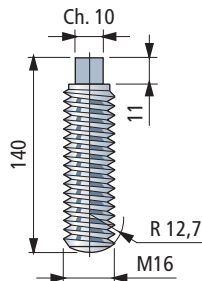
Item code for order = Part. + Code

- Rubber hardness : 50 Shore.
- Packaging : 25 pieces.
- Fmax. = maximum applicable load in static conditions.


Accessories

Code		
Zinc plated steel		mm
M16	R040766594	10

Spindle.
Packaging : 32 pieces.



Part. R0187

Material	Code	Fmax. N
 NBR rubber black with steel insert (red painted)	55421	20000



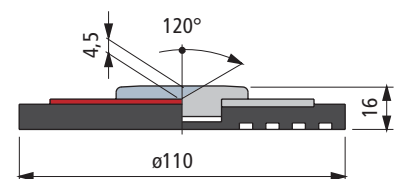
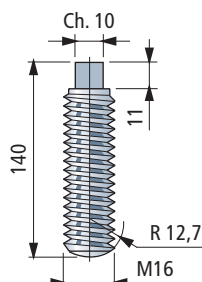
Item code for order = Part. + Code

- Rubber hardness : 80 Shore.
- Bearing disc in nickel plated steel.
- Packaging : 8 pieces.
- Fmax. = maximum applicable load in static conditions.




Accessories

Code		
Zinc plated steel		mm
M16	R040766594	10

Spindle.
Packaging : 32 pieces.



Threaded bushings for round tubes

-  **Best choice**
-  **Standard**
-  **On request**

Part. **R0180**

Tube dimensions

Outside dia. mm	Thickness mm	Inside dia. mm	Thread D	D1 mm	D2 mm	H mm	L mm	M mm	Code	Fmax. N
26,9	3/4	1,5	M12	27	24	6	30	19	63128	3000
30	-	1	M10	30	28,4	6	34	19	61606	3000
			M12	30	28,4	6	34	19	63766	3000
33,7	1	1,5	M12	34	31	6	35	19	63118	3000
38	-	1,5	M10	37,5	35,5	9	44	19	68572	5000
			M16	37,5	35,5	9	44	24	63061	5000
42,4	1 1/4	1,5	M16	44,5	39,6	9	42	24	63071	5000
			M20	44,5	39,6	9	42	30	52691	8000
48,3	1 1/2	1,5	M16	48	45,5	10	52	24	63081	5000
			M20	48	45,5	10	52	30	58631	8000
			M16	48	42,6	10	52	24	616592	5000
50	-	1,5	M10	50	47,5	10,5	56	19	682812	3000
			M12	50	47,5	10,5	56	19	682822	3000
			M14	50	47,5	10,5	56	24	682832	3000
			M16	50	47,5	10,5	56	24	682842	5000
			M20	50	47,5	10,5	56	30	682852	8000
			M10	50	46,5	10,5	56	19	682862	3000
50	-	2	M12	50	46,5	10,5	56	19	682872	3000
			M14	50	46,5	10,5	56	24	682882	3000
			M16	50	46,5	10,5	56	24	682892	5000
			M20	50	46,5	10,5	56	30	682902	8000
54	-	2	M16	54	50,8	10	62	24	647081	5000
			M20	54	50,8	10	62	30	649801	8000
60,3	2	1,5	M16	60	58	10	62	24	65154	5000
			M16	60	58	10	49	24	607241	5000
			M20	60	58	10	62	30	65164	8000
		2	M16	60	57	10	62	24	65174	5000
			M20	60	57	10	62	30	65184	8000
60,3	2	2,5	M16	60	56	10	62	24	65194	5000
			M20	60	56	10	62	30	65204	8000
		2	M14	80	76,5	10,5	90	24	682912	5000
			M16	80	76,5	10,5	90	24	682922	5000
			M20	80	76,5	10,5	90	30	682932	8000
80	-	2	M24	80	76,5	10,5	90	28	682942	8000
			M14	80	74,5	10,5	90	24	682952	5000
		3	M16	80	74,5	10,5	90	24	682962	5000
			M20	80	74,5	10,5	90	30	682972	8000
80	-	3	M24	80	74,5	10,5	90	28	682982	8000

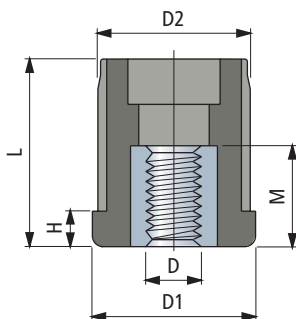
- Material : bushing in reinforced polyamid PA FV (black). Threaded insert in nickel plated brass.
- Packaging : 50 pieces (codes 63128 - 63118 : 60 pieces). Version dia. 80 mm : 25 pieces.
- Fmax. = maximum applicable load in static conditions.

Tube dimensions B.S.I.

Outside dia. Inch	Thickness mm	Inside dia. mm	Thread D	D1 mm	D2 mm	H mm	L mm	M mm	Code	Fmax. N
1,5"	38,1	0,065"	3/8"-16	37,5	35,5	9	44	19	672211	5000
			1/2"-13	37,5	35,5	9	44	19	59191	5000
			5/8"-11	37,5	35,5	9	44	24	59211	5000
2"	50,8	0,065"	3/8"-16	50	48,4	10	56	19	672221	5000
			1/2"-13	50	48,4	10	56	19	61681	5000
			5/8"-11	50	48,4	10	56	24	59221	5000
			3/4"-10	50	48,4	10	56	30	59201	8000
			M16	50	48,4	10	56	24	668191	5000

Item code for order = Part. + Code

- Material : bushing in reinforced polyamid PA FV (black). Threaded insert in nickel plated brass.
- Packaging : 50 pieces.
- Fmax. = maximum applicable load in static conditions.

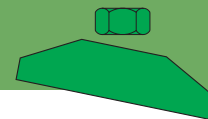


Assembly

Pressure fitted.
Interference fit.



Threaded bushings for square tubes

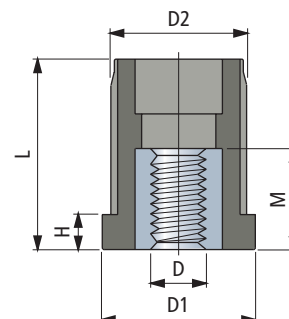


- ✔ **Best choice**
- ✔ **Standard**
- ✔ **On request**

Part. **R0224**

Metric tube dimensions

Outside mm	Thickness mm	Inside mm	Thread D	D1 mm	D2 mm	H mm	L mm	M mm	Code	Fmax. N ↓
∅ 30	1,5	27	M10	30	27,5	6	33	19	68182	5000
			M12	30	27,5	6	33	19	63932	5000
			M14	30	27,5	6	33	24	63942	5000
	2	26	M16	30	27,5	6	33	24	63952	5000
			M10	30	26,5	6	33	19	673492	5000
			M12	30	26,5	6	33	19	673502	5000
	2,5	25	M14	30	26,5	6	33	24	673512	5000
			M16	30	26,5	6	33	24	673522	5000
			M12	30	25,5	6	33	19	69695	5000
∅ 35	1,5	32	M10	35	32,5	8	43	19	63243	5000
			M12	35	32,5	8	43	19	63253	5000
			M14	35	32,5	8	43	24	63263	5000
			M16	35	32,5	8	43	24	63273	5000
			M20	35	32,5	8	43	30	64663	8000
∅ 40	1,5	37	M10	40	37,5	8	43	19	64323	5000
			M12	40	37,5	8	43	19	63882	5000
			M14	40	37,5	8	43	24	63892	5000
	2	36	M16	40	37,5	8	43	24	63902	5000
			M20	40	37,5	8	43	30	63922	8000
∅ 50	1,5	47	M16	50	47,8	10	55	24	68607	5000
			M20	50	47,5	10	55	30	68883	8000
			3/8"-16	50	47,8	10	55	19	692781	5000
			1/2"-13	50	47,8	10	55	19	692791	5000
			5/8"-11	50	47,8	10	55	24	692801	5000
	2	46	3/4"-10	50	47,8	10	55	30	692811	8000
			M16	50	47	10	55	24	617632	5000
			M20	50	47	10	55	30	617642	8000
			M14	50	45,6	10	55	24	695411	5000
			2,5	45	M16	50	45,5	10	55	24
M20	50	45,5			10	55	30	63001	8000	



■ **Assembly**

Pressure fitted.
Interference fit.

- Material : bushing in reinforced polyamid PA FV (black). Threaded insert in nickel plated brass.
- Packaging : 50 pieces.
- Fmax. = maximum applicable load in static conditions.

Tube dimensions B.S.I.

Outside dia. Inch	Thickness Inch	Inside dia. mm	Thread D	D1 mm	D2 mm	H mm	L mm	M mm	Code	Fmax. N ↓	
∅ 1,5"	0,065"	1,65	3/8"-16	38	35,5	8	43	19	661621	5000	
			1/2"-13	38	35,5	8	43	19	59231	5000	
			5/8"-11	38	35,5	8	43	24	59251	5000	
	0,120"	3,05	32	M16	38	35,5	8	43	24	62963	5000
				3/8"-16	38	32,6	8	43	19	672231	5000
				1/2"-13	38	32,6	8	43	19	61422	5000
	∅ 2"	0,109"	2,77	5/8"-11	38	32,6	8	43	24	61432	5000
				3/4"-10	38	32,6	10	43	30	661631	8000
				3/8"-16	50	45,6	10	55	19	672241	5000
1/2"-13				50	45,6	10	55	19	61691	5000	
∅ 2"	0,109"	2,77	5/8"-11	50	45,6	10	55	24	59261	5000	
			3/4"-10	50	45,6	10	55	30	59241	8000	

Item code for order = Part. + Code

- Material : bushing in reinforced polyamid PA FV (black). Threaded insert in nickel plated brass.
- Packaging : 50 pieces.
- Fmax. = maximum applicable load in static conditions.



Threaded bushings for round tubes

Part. **S0710**

- ✔ **Best choice**
- ✔ **Standard**
- **On request**

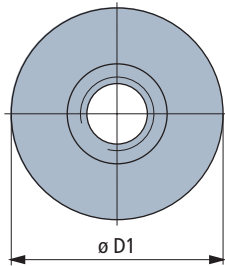
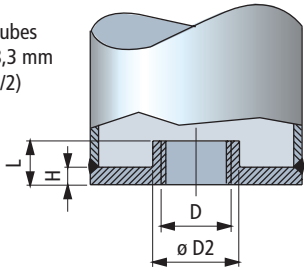


Tube dimensions

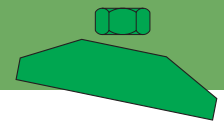
Outside dia.		Thread D	D1 mm	D2 mm	H mm	L mm	Code	Fmax. N ↓
mm	Poll"							
48,3	1" 1/2	M16	48,3	20	4	10	685682	20000
		M20	48,3	23	4	11,5	685692	

- Assembly by welding.
- Material : austenitic stainless steel.
- Packaging : 48 pieces.
- Fmax. = maximum applicable load in static conditions.

For tubes
Ø 48,3 mm
(1" 1/2)



Threaded bushings for square tubes

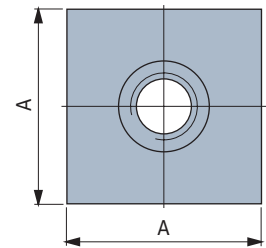
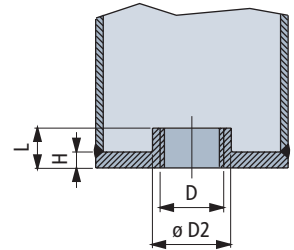


- Best choice**
- Standard**
- On request**

Part. S0713

Metric tube dimensions

Outside mm	Thread D	A mm	D ₂ mm	H mm	L mm	Code	Fmax. N ↓
∅ 40	M16	40	20	4	10	685702	20000
	M20	40	23	4	11,5	685712	
∅ 45	M16	45	20	4	10	685722	
	M20	45	23	4	11,5	685732	
∅ 50	M16	50	20	4	10	685742	
	M20	50	23	4	11,5	685752	
∅ 60	M16	60	20	4	10	685762	
	M20	60	23	4	11,5	685772	

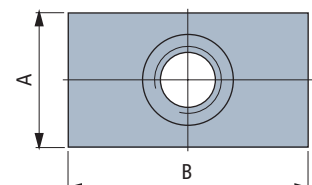
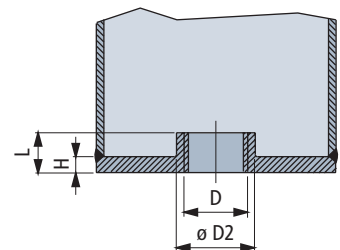


- Assembly by welding.
- Material : austenitic stainless steel.
- Packaging : 48 pieces.
- Fmax. = maximum applicable load in static conditions.

Metric tube dimensions

Outside mm	Thread D	A mm	B mm	D ₂ mm	H mm	L mm	Code	Fmax. N ↓
40 x 80	M16	40	80	20	4	10	685782	20000
	M20	40	80	23	4	11,5	685792	

Part. S0714



- Assembly by welding.
- Material : austenitic stainless steel.
- Packaging : 48 pieces.
- Fmax. = maximum applicable load in static conditions.

Resistance against chemical agents	POLYAMIDE PA	POLYPROPYLENE PP	POLYETHYLENE PE	ACETAL POM	AISI 303 AISI 304	AISI 316	NICKEL PLATED BRASS	NBR RUBBER	VITON RUBBER
CHEMICAL AGENT	Conc.% 23°C	Conc.% 23°C	Conc.% 23°C	Conc.% 23°C	Conc.% 23°C	Conc.% 23°C	Conc.% 23°C	Conc.% 23°C	Conc.% 23°C

ACETIC ACID	10 -	40 +	10 +	5 -	20 +	50 +	/	-	20 -
ACETONE	100 +	+	+	/	50 +	25 +	+	-	-
ALUMINIUM CHLORIDE	10 +				-	/		+	Sat. +
AMMONIA	10 +	30 +	+	Sol. +	50 +	100 +	-	/	/
AMMONIA CONC.		+	+	-				-	
AMMONIUM CHLORIDE	10 +				10 /	/		+	Sat. +
AMYL ALCOHOL	100 +	+			+	+			+
ANILINE	/	100 +	3 +	3 +	3 +			-	
BEER	+	+	+	+	+		+	+	+
BENZENE	+	+	/	+	70 /			-	
BENZOIC ACID	Sat. /	Sat. +			100 /	100 +		+	+
BENZOL	100 +	/	/	+	+	+	+	-	/
BORIC ACID	10 +	Sat. +	Sat. +	+	100 /	Sat. +		+	Sat. +
BRINE	/	Sat. +	+	/				+	
BUTTER	+	+	+	+	+		+	+	+
BUTYL ALCOHOL	100 +	+			+	+		/	+
BUTYRIC ACID	-	100 +	+	-	5 +			-	
CALCIUM CHLORIDE	10 +	50 +	Sat. +	/	10 -	/	+	+	Sat. +
CARBON SULPHIDE	100 +	+	+	+	+	+		-	+
CARBON TETRACHLORIDE	+	-	/	+	10 -	+	+	-	+
CAUSTIC SODA	10 +	52 +	25 +	25 -	+			/	45 +
CHEESE	-	+	+	+				+	
CHLORINATED WATER	+	-	-	-	-			-	
CHLOROFORM	100 -	/	-	-	100 +	+	+	-	+
CHOCOLATE	-		+	+				+	
CITRIC ACID	10 /	10 +	+	/	5 +	25 +	-	+	Sat. +
CUPRIC SULPHATE	10 +	Sat. +	+	+	5 +	100 +		+	Sat. +
DISTILLED WATER	+	+	+	+	+			+	
ETHYL ACETATE	100 +	+			100 /			-	-
ETHYL ALCOHOL	96 +	96 +	+	+	10 +	+	+	/	+
ETHYL CHLORIDE	100 +	-	/	+	+	/	/	-	
ETHYL ETHER	100 +	+	+	+				-	-
FERRIC CHLORIDE	10 +	+			20 -	/		+	Sat. +
FOOD FATS	+	+	+	+	+			+	+
FOOD OILS	+	+	+	+	+			+	+
FORMALDEHYDE	30 +	40 +	/	+	100 +		+	-	40 +
FORMIC ACID	10 -	100 +	10 +	10 -	5 /		+	-	
FREON 12	+				+			+	/
FRESH WATER	+	+	+	+	+		+	+	
FRUIT JUICES	+	+	+	+	+			+	
GASOLINE	+	/	/	+	+	+	/	/	+
GLYCERINE	+	+	+	+	+	+	+	+	+
HYDROCHLORIC ACID	10 -	30 +	37 +	37 -	-	1 +	/	10 /	37 +
HYDROCHLORIC ACID	2 -	2 +	2 +	2 /				2 /	
HYDROFLUORIC ACID	40 -	40 +	70 +	-	-			65 -	48 +
HYDROGEN PEROXIDE	3 -	30 +	+	-	30 +	+	/	80 -	90 +
IODINE	-	+	+	+				/	
LACTIC ACID	10 +	20 +	+	+	5 +	10 +	-	+	+
LINSEED OIL	+	+			100 +	+		+	+
MAGNESIUM CHLORIDE	10 +	Sat. +			5 +	/		+	Sat. +
MERCURY	+	100 +	+	+	100 /	+	/	+	+
METHYL ALCOHOL	100 +	+	+	+	100 /	+	+	/	/
METHYLENE CHLORIDE	100 +	/	/	-	/	/		-	/
MILK	+	+	+	+	+		+	+	+
MINERAL OILS	+	+	+	+	+	+		+	+
MUSTARD	-	+	+	+				+	
NITRIC ACID	10 -	+	5 /	5 -	10 +	65 +		10 -	70 +
OLEIC ACID	100 +	+	/	-	100 /		+	/	/
PARAFFIN	+	100 /	+	+	+			+	
PETROLEUM	+	100 /	-	+	+		+	+	+
PETROLEUM ETHER	+	+	+	+	+	+	+	-	

Resistance against chemical agents	POLYAMIDE PA		POLYPROPYLE PP		POLYETHYLENE PE		ACETAL POM		AISI 303 AISI 304		AISI 316		NICKEL PLATED BRASS		NBR RUBBER		VITON RUBBER		
	Conc.% 23°C		Conc.% 23°C		Conc.% 23°C		Conc.% 23°C		Conc.% 23°C		Conc.% 23°C		Conc.% 23°C		Conc.% 23°C		Conc.% 23°C		
PHENOL	-		+						10	+		+				-		+	
PHOSFORIC ACID	10	-	85	+	95	+	10	-	10	-	50	/		-	20	/	85	+	
POTASSIUM HYDROXIDE	10	+							50	+	50	+				/		+	
SEA WATER		+		+		+		/		+		+		+		+		+	
SILICONE OIL		+		+												+		+	
SILVER NITRATE		+	20	+					60	/						/		+	
SOAP AND WATER		+		+		+		+		+						+			
SODIUM CARBONATE	10	+	Sat.	+		+		+	5	+	100	+				+		+	
SODIUM CHLORIDE	10	+	Sat.	+		+		+	5	+	/			+			Sat.	+	
SODIUM HYDROXIDE	10	+	30	+		+		10	+		-			+		/			
SODIUM HYPOCHLORITE		+	20	+		+		-		-						-		5	+
SODIUM SILICATE		+							100	+	100	+					+		
SODIUM SULPHATE	10	+	Sat.	+		+		+	5	+	100	+					+		+
SOFT DRINKS		+		+		+		+		+				+		+			
SUDS		+		+												+			+
SULPHURIC ACID	10	-	98	+	40	/	40	-	10	-	100	+		+		-		95	+
TARTARIC ACID		+	10	+		+		30	/	10	+	50	+		-		+		+
TETRALINE		+		-												-			+
TINCTURE OF IODINE		-		+		+		+						-		/			
TRANSFORMER OIL		+		/												+			+
TRICHLOROETHYLENE		/		/		+		-		+				+		-			+
TURPENTINE		/		-		-		-		+						-			
VASELINE		+		+		/		+								+			+
VEGETABLE JUICES		+		+		+		+		+						+			
VEGETABLE OILS		+		+		+		+		+						+			
VINEGAR		+		+		+		+		+				+		/			-
WHISKY		+		+		+		+		+				+		+			+
WINE		+		+		+		+		+				+		+			+
XILOL		+		-		/		+		+				/		-			+
ZINC CHLORIDE	10	/	20	+					10	-	/					+		Sat.	+

Abbreviations: Sat. = saturated.

Legend..

- + = Good resistance.
- / = Fairly good resistance (limited use depending on working conditions).
- = Poor resistance (not recommended).
- N.B. Where tests have not been carried out the spaces are left blank.

The data shown in this table..

are taken from laboratory tests, performed on unstrained test samples. It should be considered as purely indicative since material behaviour under real working conditions depends on different factors: temperature, concentration of the chemical agent, quick or long-lasting effect of the chemical agent.

Operating temperatures

Operating temperatures (°C)

Material	Description	contact with air		contact with hot water
		Min	Max	Max
PA	Polyamid	0	+ 80	+ 65
PA FV	Reinforced polyamid	- 5	+ 120	+ 100
PP	Polypropylene	+ 5	+ 105	+ 105
PP FV	Reinforced polypropylene	+ 5	+ 115	+ 115
PE (UHMWPE)	Polyethylene	- 40	+ 80	+ 70
POM	Acetal	- 40	+ 80	+ 65
Rex-LF®	Acetal	- 40	+ 80	+ 65
AISI 303 - AISI 304	Austenitic stainless steel (18/8)	- 70	+ 430	+ 120
Fe Zn	Zinc plated steel	- 40	+ 180	-
OT	Nickel plated brass	- 40	+ 180	+ 120

	Page
Part. R0031	R53
Part. R0055	R59
Part. R0094	R16 - R17
Part. R0098	R14 - R15
Part. R0133	R20 - R21
Part. R0134	R26
Part. R0169	R25
Part. R0173	R12 - R13
Part. R0180	R60
Part. R0187	R59
Part. R0224	R61
Part. R0230	R58
Part. R0269	R8 - R9
Part. R0297	R27
Part. R0323	R18 - R19
Part. R0349	R42
Part. R0351	R40
Part. R0383	R56
Part. R0384	R56
Part. R0385	R56
Part. R0399	R56
Part. R0403	R54
Part. R0404	R58
Part. R0406	R55
Part. R0407	R58 - R59
Part. R0408	R43
Part. R0441	R41
Part. R0479	R22 - R23
Part. R0528	R54
Part. R0529	R55
Part. R0552	R10 - R11
Part. R0600	R52
Part. R0622	R32 - R33
Part. R0623	R34 - R35
Part. R0626	R28 - R29
Part. R0627	R30 - R31
Part. R0628	R36 - R37
Part. R0629	R38 - R39
Part. R0701	R57
Part. R0702	R57
Part. R0703	R57
Part. S0710	R62
Part. S0713	R63
Part. S0714	R63
Part. R0726	R24 - R25 - R27
Part. R0747	R44
Part. R0747F	R45
Part. R0748	R44
Part. R0748F	R45
Part. R0749	R44 - R50
Part. R0750	R46

	Page
Part. R0750F	R47
Part. R0750S	R48
Part. R0750SF	R49
Part. R0751	R46
Part. R0751F	R47
Part. R0751S	R48
Part. R0751SF	R49
Part. R0752	R46
Part. R0752S	R48
Part. R0773	R51
Part. R0869	R24

Main News

Obsolete	Replacements	Page
Articulated Feet		
Part. R0170 - R0170R	Part. R0869	New R24
Part. R0171 - R0171R	Part. R0869	New R24
Part. R0254	Part. R0869	New R24
Part. R0172	Part. R0323	R18 - R19
Part. R0132 - R0132R	Part. R0133	R20 - R21
Part. R0292	Part. R0628	R36 - R37
Feet in Steel		
Part. R0546	Part. R0747	R44
Part. R0547	Part. R0748	R44
Part. R0548	Part. R0749	R44
Part. R0549	Part. R0627	R30 - R31
Part. R0349	Part. R0349	New Design R42
Part. R0351	Part. R0351	New Design R40
Part. R0408	Part. R0408	New Design R43
Part. R0441	Part. R0441	New Design R41
Out of production		
Part. R0602		
Part. R0675		
Part. R0745		
Part. R0753		

Reproduction, even partial, of this catalogue is illegal. REXNORD MARBETT is continually investigating methods of improving products and introducing new technology, we reserve the right to modify data and features shown in the catalogue. Dimensions are indicative only, for tolerances contact us.

The loads indicated in the table represent the maximum loads that can be applied at static conditions. These values result from tests and laboratory experiments done on our materials, injection molded and conditioned (40h - 23°C - 50% U.R.).

The loads values should be adequately reduced in case of : vibrations at high frequencies, live loads, high temperatures and places with high degree of humidity. For a mutual guarantee, please address to our technical or commercial departments, in order to value the characteristics according to their employment.

AUSTRALIA

Rexnord Australia Pty. Ltd.
Picton, New South Wales
Phone: 61-2-4677-3811
Fax: 61-2-4677-3812

BRAZIL

Rexnord Correntes Ltda.
Sao Leopoldo - RS
Phone: 55-51-579-8022
Fax: 55-51-579-8029

CANADA

Rexnord Canada Ltd.
Scarborough, Ontario
Phone: 1-416-297-6868
Fax: 1-416-297-6873

CHINA

Rexnord China
Shanghai
Phone: 86-21-62701942
Fax: 86-21-62701943

FLATTOP EUROPE

Rexnord FlatTop Europe b.v.
's-Gravenzande, The Netherlands
Phone: 31-174-445-111
Fax: 31-174-445-222

Rexnord Marbett S.r.L.
Correggio (RE), Italy
Phone: 39-0522-639333
Fax: 39-0522-637778

RMCC Deutschland Kette GmbH
Aßlar-Werdorf, Germany
Phone: 49-6443-83140
Fax: 49-6443-831420

Rexnord FlatTop France
Orly Cedex
Phone: 33-1-4173-4220
Fax: 33-1-4173-4229

UNITED STATES

Customer Service
Phone: 1-866-REXNORD
(1-866-739-6673)
Fax: 1-614-675-1898
E-mail: rexnordcs(state)@rexnord.com
Example: rexnordcs(ohio)@rexnord.com

Rexnord FlatTop North America
Grafton, Wisconsin
Phone: 1-262-376-4700
Fax: 1-262-376-4720

Rexnord International - Power Transmission
Milwaukee, Wisconsin
Phone: 1-414-643-2366
Fax: 1-414-643-3222
E-mail: international2@rexnord.com

ALL COUNTRIES NOT LISTED

Rexnord FlatTop Europe b.v.
's-Gravenzande, The Netherlands
Phone: 31-174-445-111
Fax: 31-174-445-222

After Hours/Emergency Phone:
31-174-445-112



www.rexnordflattop.com
flattopeurope@rexnord.com